

# EMBRAER 135/145

## AIRPLANE GENERAL DESCRIPTION



Version 1.0 (June 07)

# AIRPLANE GENERAL DESCRIPTION

The EMB-145 and EMB-135 models are a low wing, T-tail pressurized airplanes, powered by two high by-pass ratio rear mounted turbofan engines. The tricycle landing gear is all retractable, with twin tires in each leg.

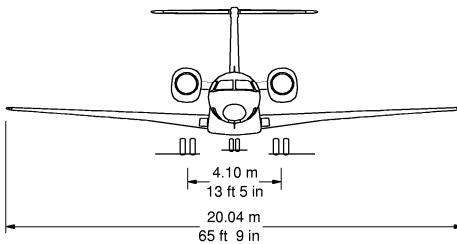
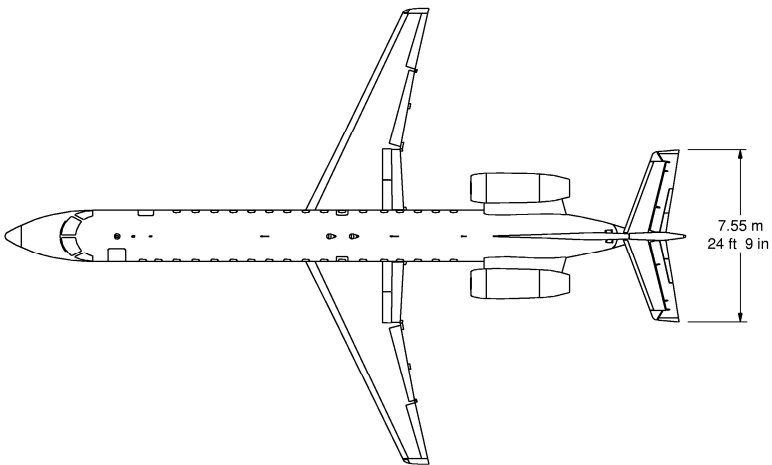
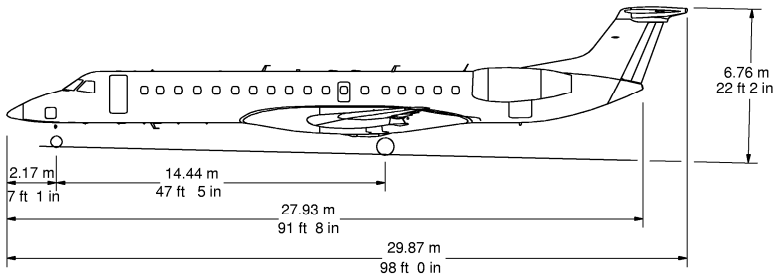
A glass cockpit panel has been developed with highly integrated on-board avionics, thus allowing pilots to better monitor airplane general operation.

The typical passenger configuration consists of three seats abreast, with front galley and rear toilet, permitting to carry up to 50 passengers for the EMB-145 model, up to 44 passengers for the ERJ 140 model and up to 37 passengers for the EMB-135 model. Convenient accommodation is provided for the flight crew.

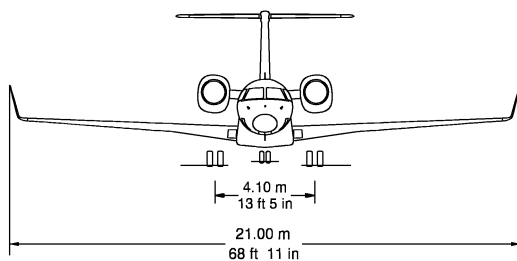
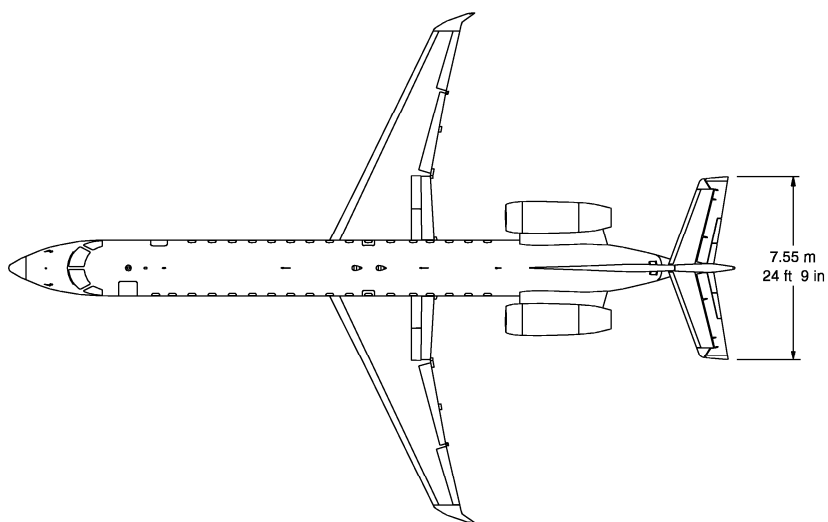
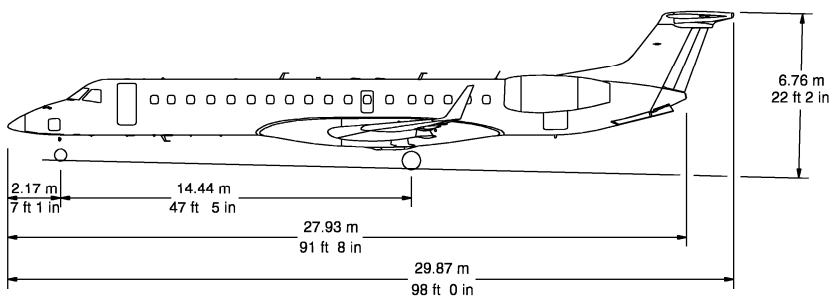
Model	MTOW kg (lb)	MLW kg (lb)	MZFW kg (lb)	FUEL (wing) (* ) kg (lb)	FUEL (ventral) (* ) kg (lb)
135ER	19000 (41888)	18500 (40785)	15600 (34392)	4174 (9200)	-
135LR	20000 (44092)	18500 (40785)	16000 (35274)	5187 (11435)	-
140ER	20100 (44313)	18700 (41226)	17100 (37698)	4173 (9200)	-
140LR	21100 (46517)	18700 (41226)	17100 (37698)	5187 (11435)	-
145STD	19200 (42328)	18700 (41226)	17100 (37698)	4174 (9200)	-
145EU	19990 (44070)	18700 (41226)	17100 (37698)	4174 (9200)	-
145ER	20600 (45414)	18700 (41226)	17100 (37698)	4174 (9200)	-
145EP	20990 (46275)	18700 (41226)	17100 (37698)	4174 (9200)	-
145LR	22000 (48501)	19300 (42549)	17900 (39462)	5187 (11435)	-
145LU	21990 (48479)	19300 (42549)	17900 (39462)	5187 (11435)	-
145MK	19990 (44070)	18700 (41226)	17700 (39021)	4174 (9200)	-
145MP	20990 (46275)	19300 (42549)	17900 (39462)	4174 (9200)	-
145XR	24100 (53131)	20000 (44092)	18500 (40785)	5187 (11435)	845 (1863)

**NOTE:** (\*) The values for fuel capacity above have been determined For an adopted fuel density of 0.811 kg/l (6.767 lb/US Gal).

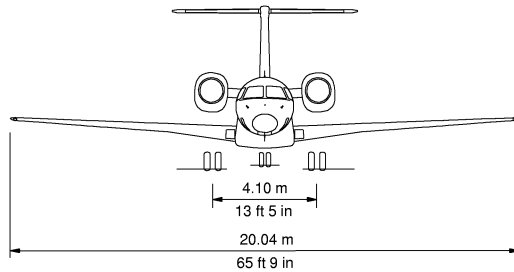
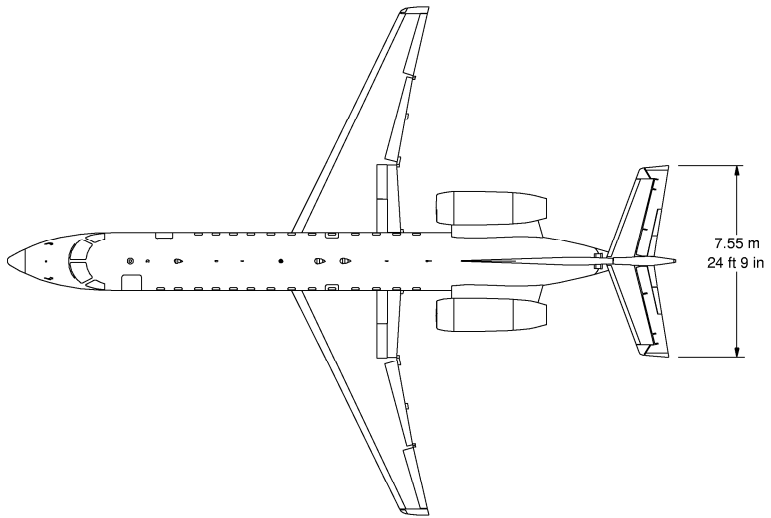
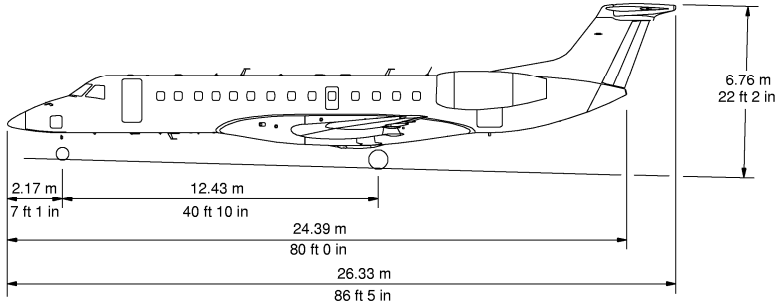
# THREE VIEW DRAWING (EMB-145 MODELS)



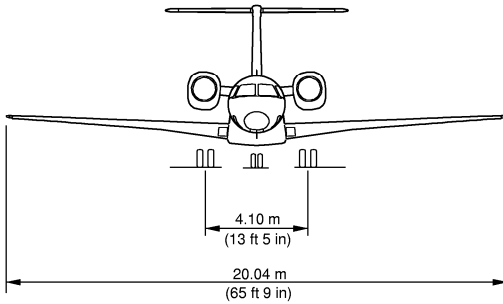
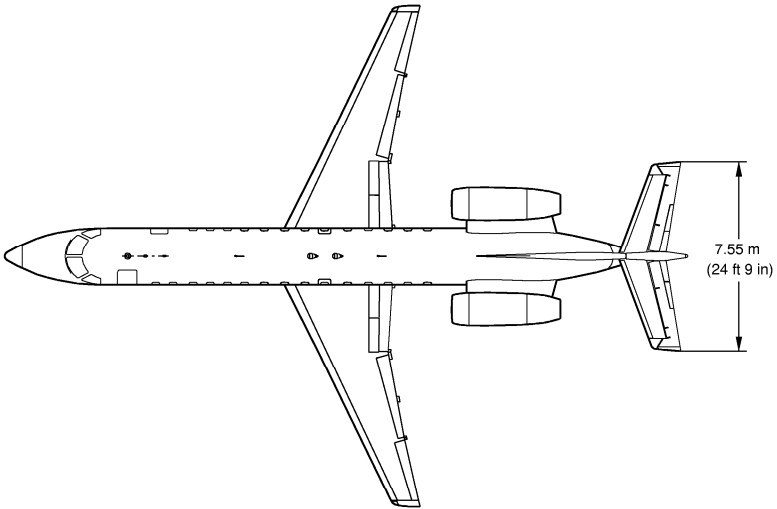
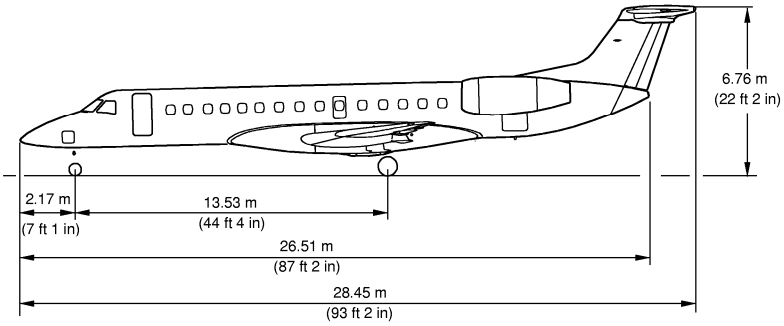
# THREE VIEW DRAWING (EMB-145 XR MODEL)



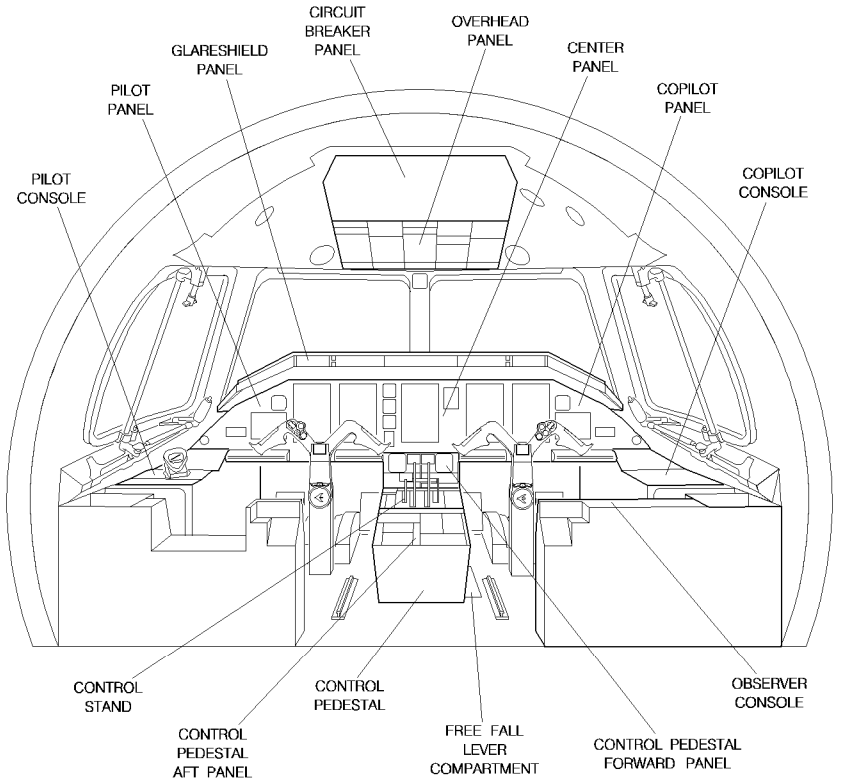
# THREE VIEW DRAWING (EMB-135 MODELS)



# THREE VIEW DRAWING (ERJ-140 MODELS)

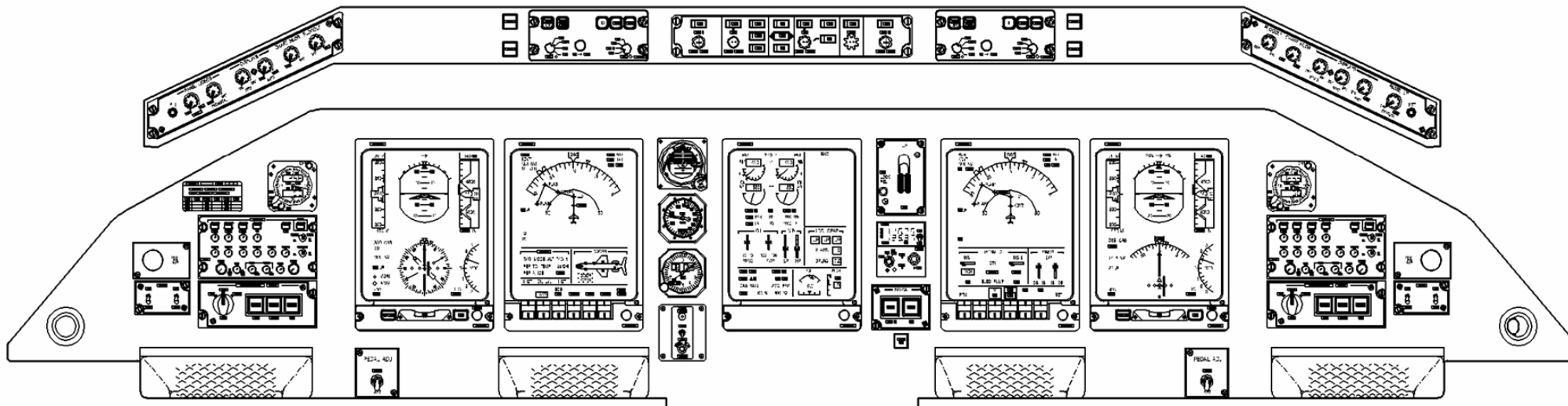


# COCKPIT ARRANGEMENT [1]



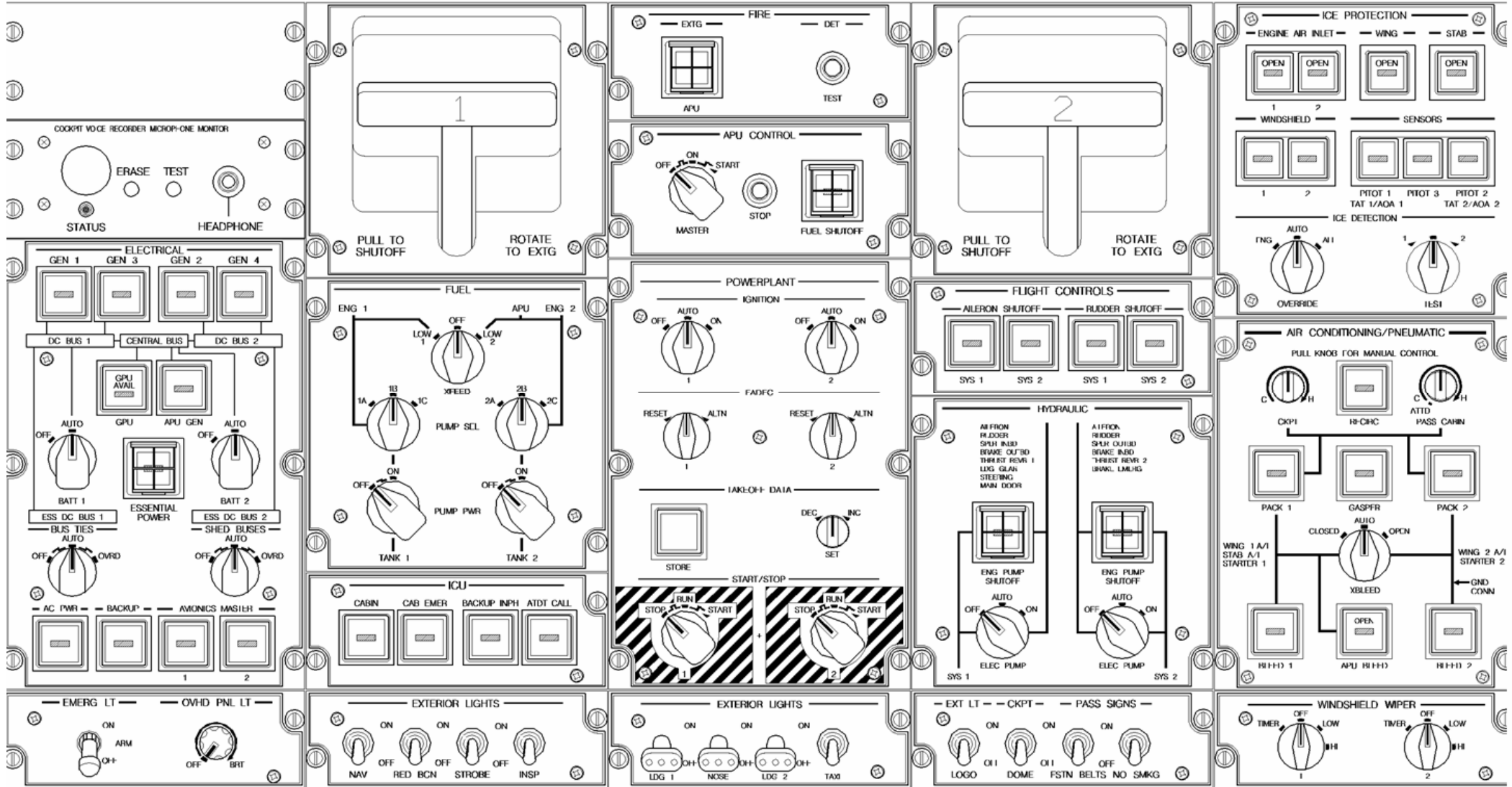
1451114002.MCE

# GLARESHIELD PANEL

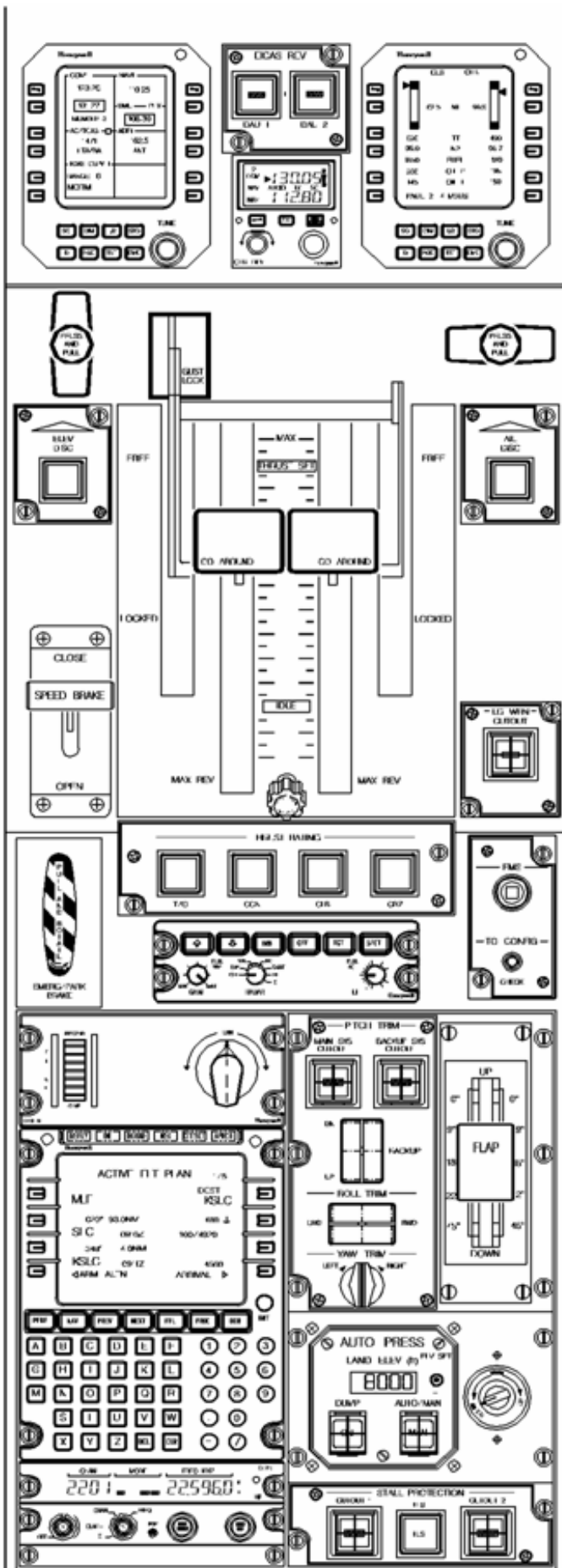




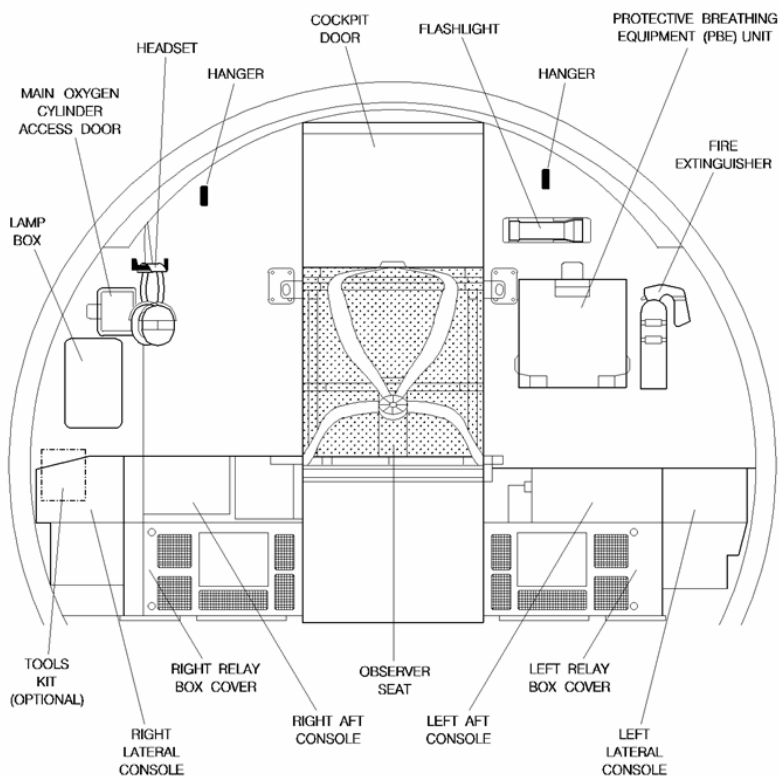
# OVERHEAD PANEL



# PEDESTAL



# COCKPIT ARRANGEMENT [2]



# INTERIOR ARRANGEMENT CROSS SECTION (TYPICAL)

