



SECTION 2-01

AIRPLANE DESCRIPTION

TABLE OF CONTENTS

	Page Block
Introduction	2-01-00
Airplane Description	2-01-00
Cockpit Arrangement	2-01-00
Interior Arrangement	2-01-00
Main/Glareshield Panels	2-01-05
Control Pedestal.....	2-01-05
Overhead Panel	2-01-10
Cockpit Partition	2-01-15



INTRODUCTION

This Section is intended to present a general overview of the airplane, thus initiating the reader to the EMB-145, which may, then, go through the Sections searching more detailed information on each system.

AIRPLANE DESCRIPTION

The EMB-145 and EMB-135 models are a low wing, T-tail pressurized airplanes, powered by two high by-pass ratio rear mounted turbofan engines. The tricycle landing gear is all retractable, with twin tires in each leg.

A glass cockpit panel has been developed with highly integrated on-board avionics, thus allowing pilots to better monitor airplane general operation.

The typical passenger configuration consists of three seats abreast, with front galley and rear toilet, permitting to carry up to 50 passengers for the EMB-145 model, up to 44 passengers for the ERJ 140 model and up to 37 passengers for the EMB-135 model. Convenient accommodation is provided for the flight crew.

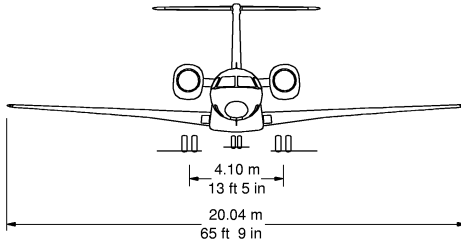
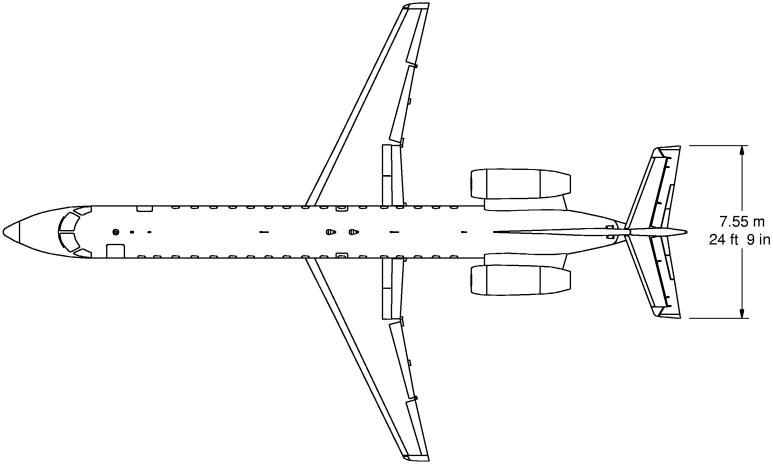
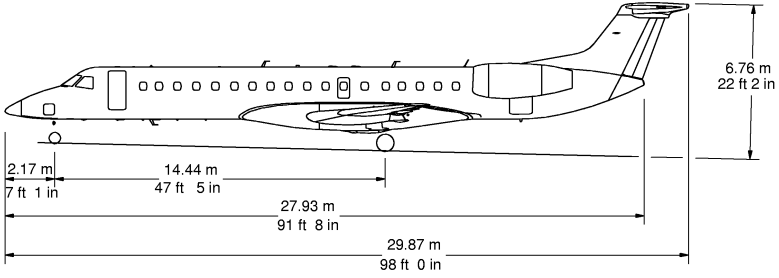
For detailed information on each system, refer to the appropriate Section in this manual.

The airplane is presented in the following models:

Model	MTOW kg (lb)	MLW kg (lb)	MZFW kg (lb)	FUEL (wing) (*) kg (lb)	FUEL (ventral) (*) kg (lb)
135ER	19000 (41888)	18500 (40785)	15600 (34392)	4174 (9200)	-
135LR	20000 (44092)	18500 (40785)	16000 (35274)	5187 (11435)	-
140ER	20100 (44313)	18700 (41226)	17100 (37698)	4173 (9200)	-
140LR	21100 (46517)	18700 (41226)	17100 (37698)	5187 (11435)	-
145STD	19200 (42328)	18700 (41226)	17100 (37698)	4174 (9200)	-
145EU	19990 (44070)	18700 (41226)	17100 (37698)	4174 (9200)	-
145ER	20600 (45414)	18700 (41226)	17100 (37698)	4174 (9200)	-
145EP	20990 (46275)	18700 (41226)	17100 (37698)	4174 (9200)	-
145LR	22000 (48501)	19300 (42549)	17900 (39462)	5187 (11435)	-
145LU	21990 (48479)	19300 (42549)	17900 (39462)	5187 (11435)	-
145MK	19990 (44070)	18700 (41226)	17700 (39021)	4174 (9200)	-
145MP	20990 (46275)	19300 (42549)	17900 (39462)	4174 (9200)	-
145XR	24100 (53131)	20000 (44092)	18500 (40785)	5187 (11435)	845 (1863)

NOTE: (*) The values for fuel capacity above have been determined for an adopted fuel density of 0.811 kg/l (6.767 lb/US Gal).

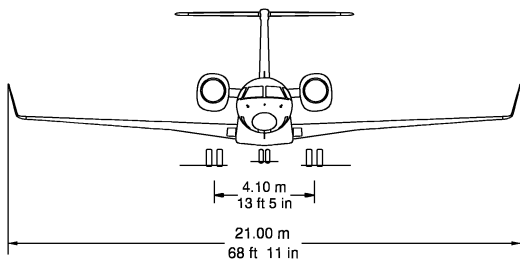
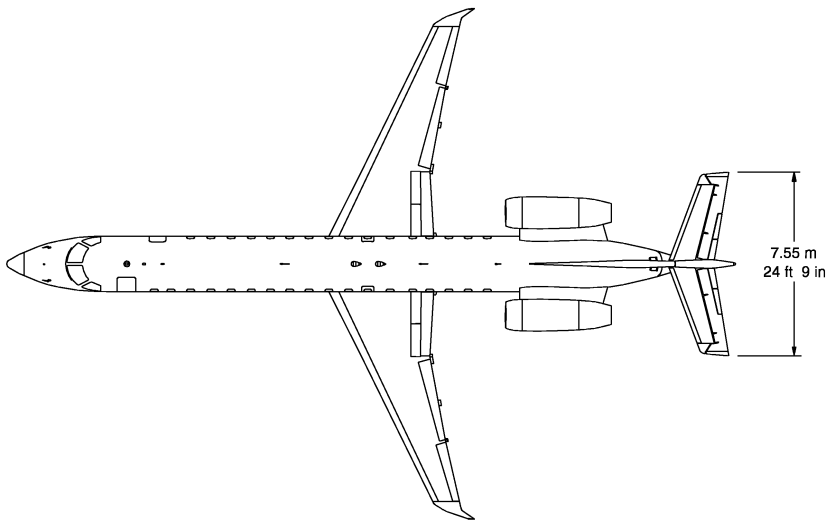
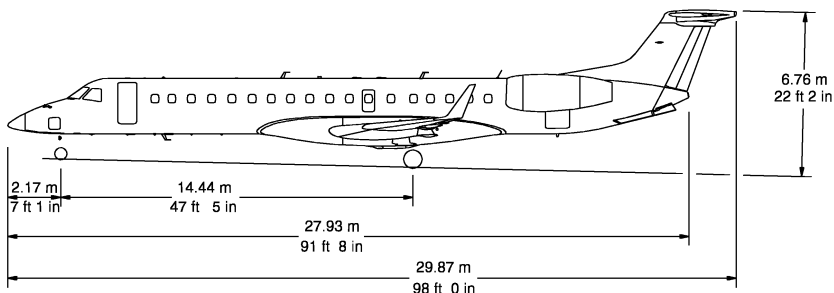
THREE VIEW DRAWING (EMB-145 MODELS)



145AOM1070002.MCE

AOM-145/1114

THREE VIEW DRAWING (EMB-145 XR MODEL)



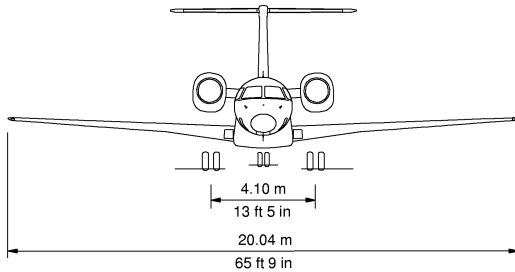
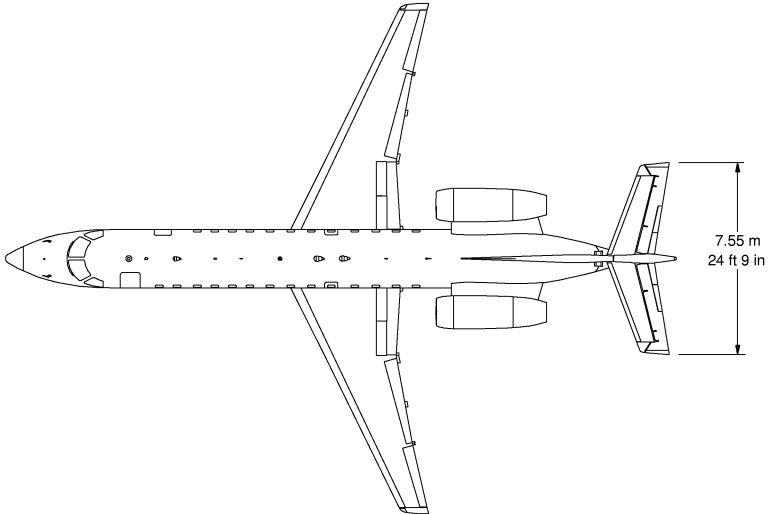
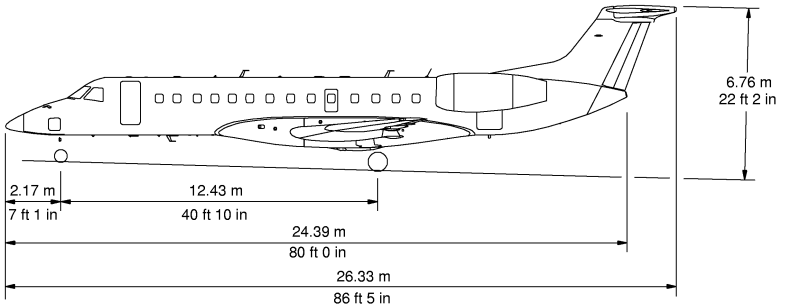
145AOM1070059.MCE

AOM-145/1114



THIS PAGE IS LEFT BLANK INTENTIONALLY

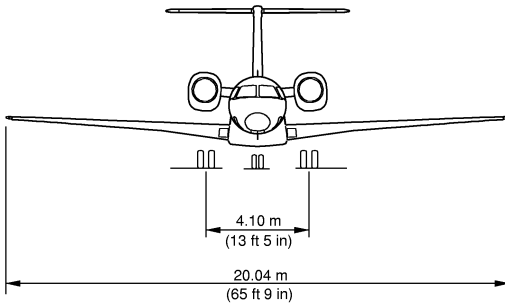
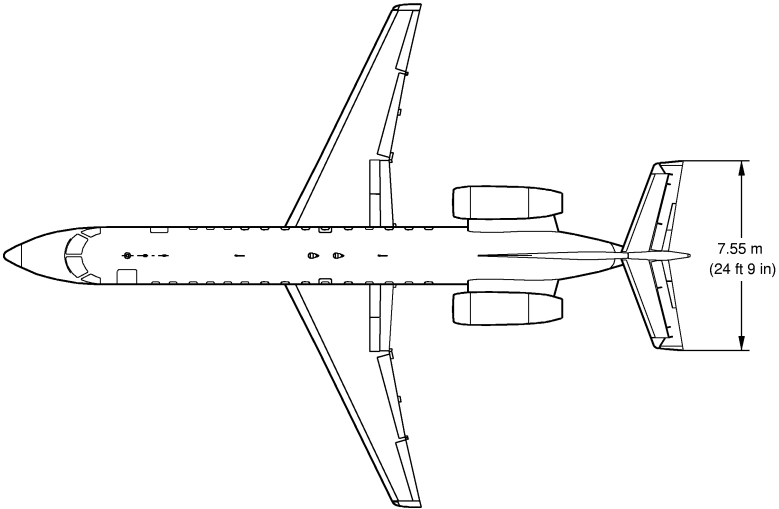
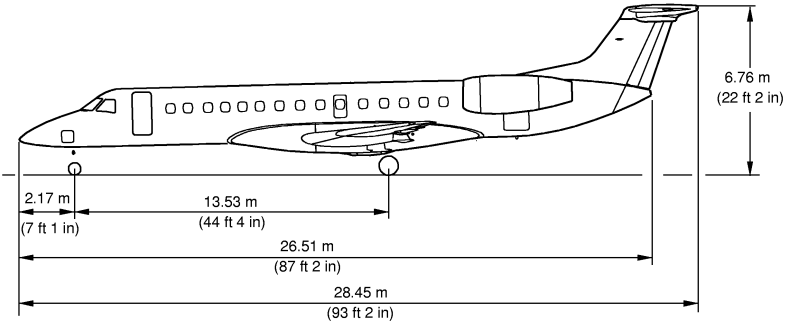
THREE VIEW DRAWING (EMB-135 MODELS)



AOM-145/1114

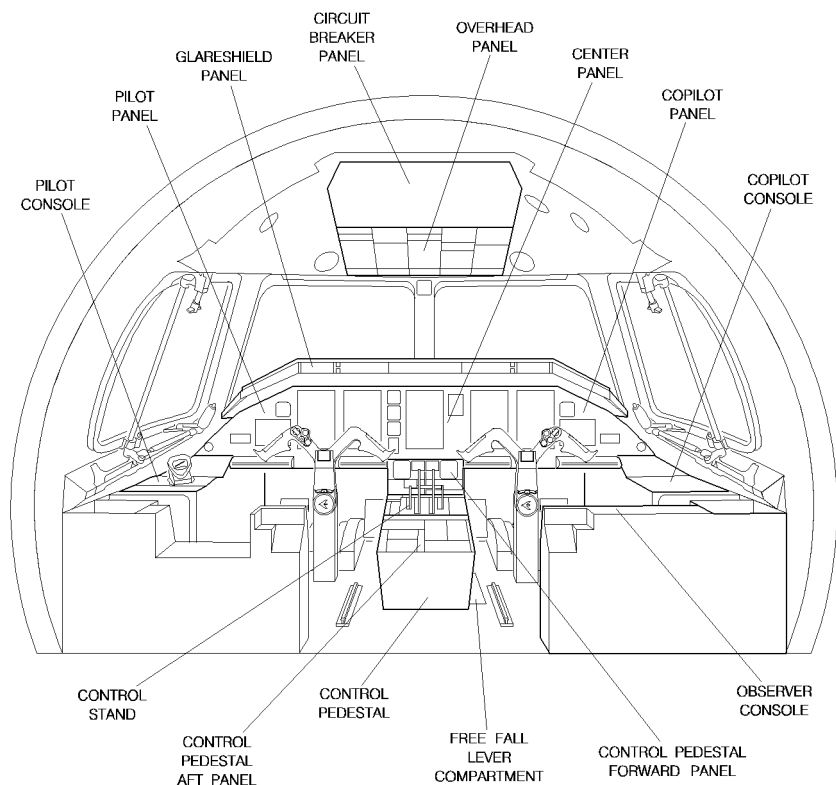
145AOM1070001.MCE

THREE VIEW DRAWING (ERJ-140 MODELS)



145AOM1070036.MCE

COCKPIT ARRANGEMENT

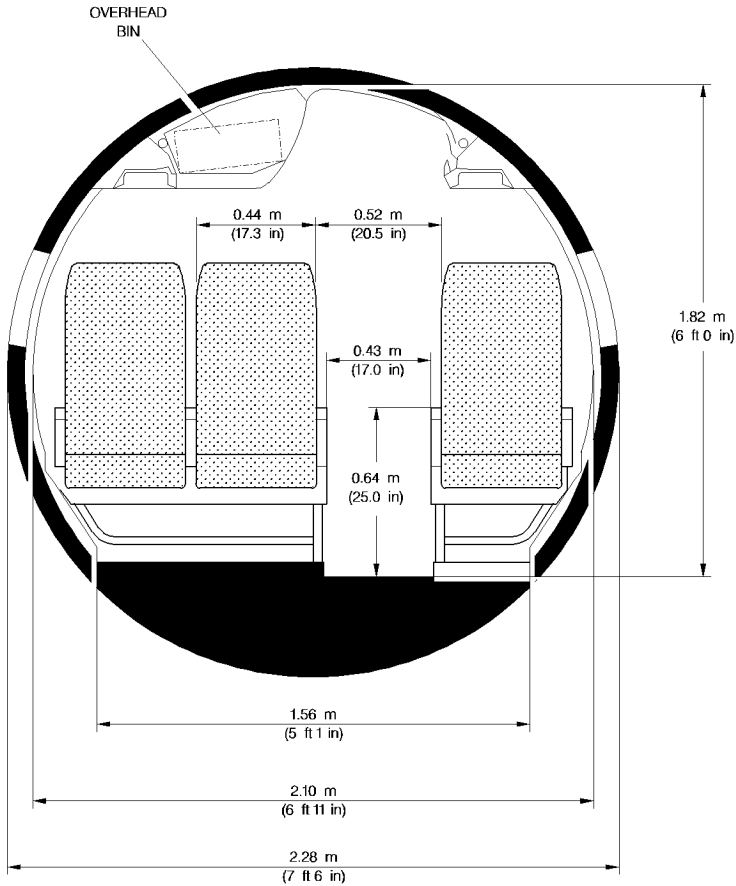


1451114002.MCE

AOM-145/1114

INTERIOR ARRANGEMENT

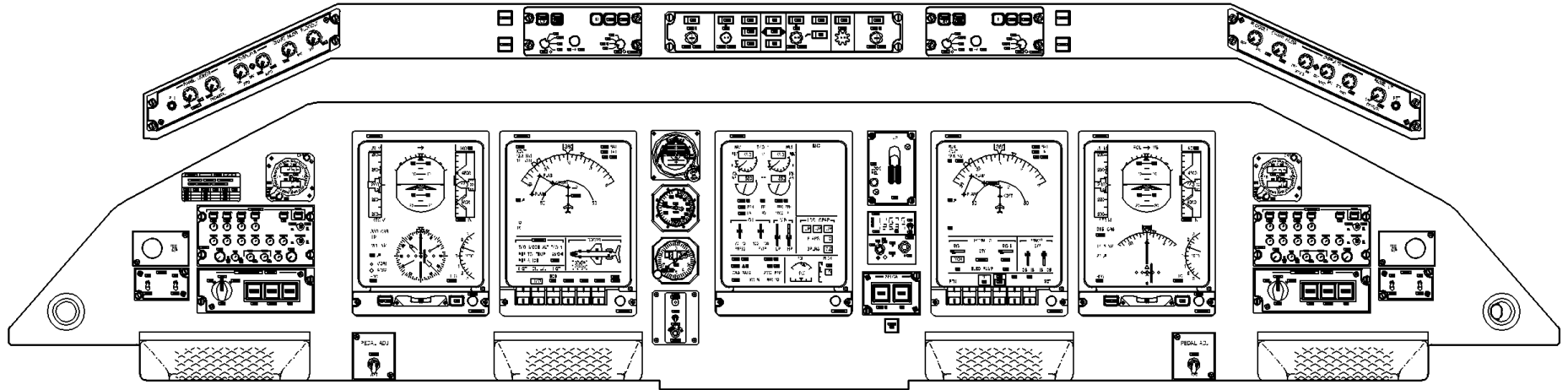
CROSS SECTION (TYPICAL)



1451114220.MCE

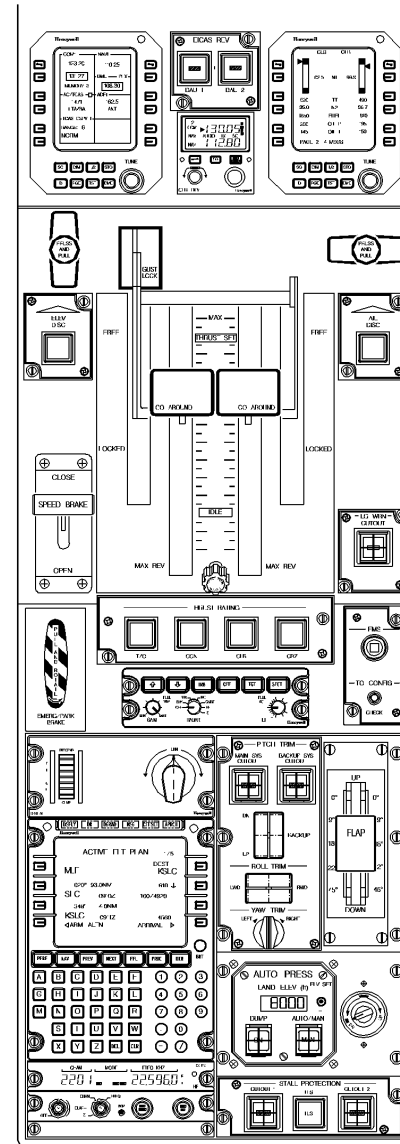
AOM-145/1114

MAIN/GLARESHIELD PANELS



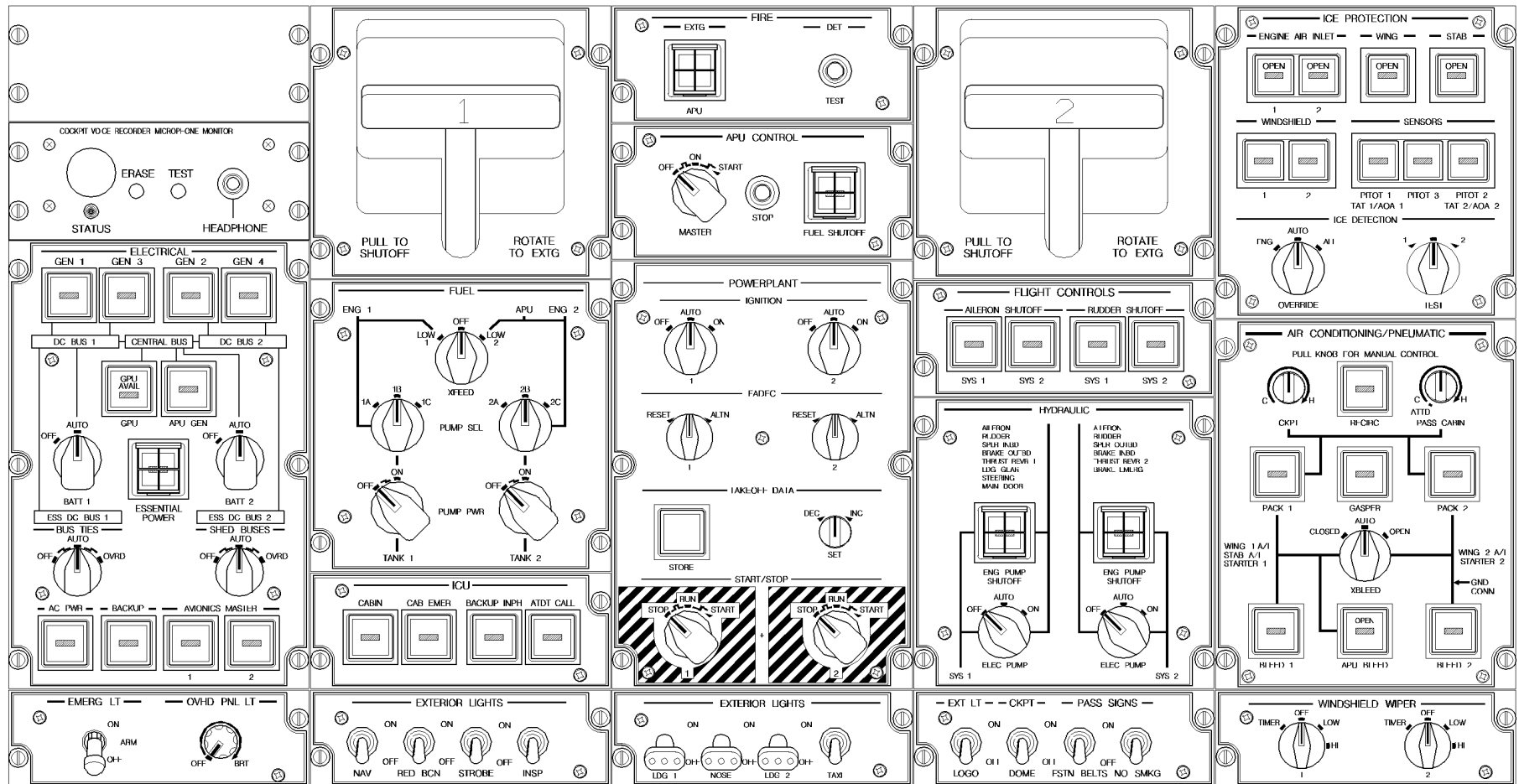
145AOM2010034.MCE

CONTROL PEDESTAL



145AOM2010035.MCE

OVERHEAD PANEL (TYPICAL)

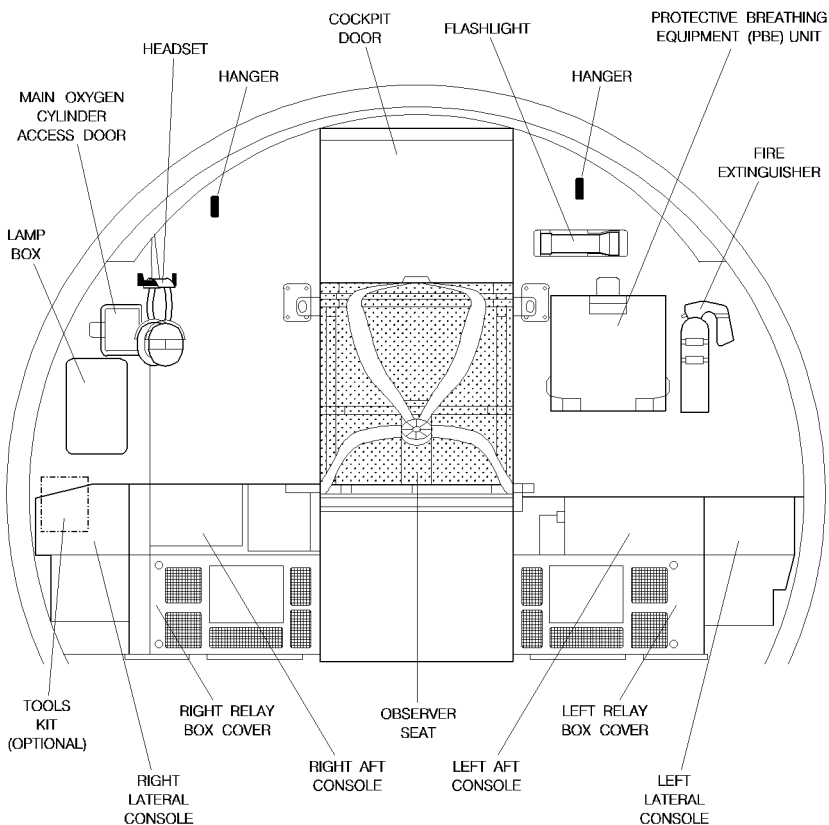


145114035.MCE



THIS PAGE IS LEFT BLANK INTENTIONALLY

COCKPIT PARTITION (TYPICAL)



1451114221.MCE

AOM-145/1114



THIS PAGE IS LEFT BLANK INTENTIONALLY