

F2000EX EASY	ATA 38 – WATER - WASTE TABLE OF CONTENTS	02-38-00
CODDE 1		PAGE 1 / 2
DGT94085		ISSUE 3

02-38 ATA 38 – WATER - WASTE

02-38-00 TABLE OF CONTENTS

02-38-05 GENERAL

Introduction
Sources
Equipment location

02-38-10 DESCRIPTION

General

02-38-15 CONTROL AND INDICATION

Control

02-38-20 SYSTEM PROTECTION

Introduction
Circuit breakers
Pressure Relieve Valves

02-38-25 ABNORMAL OPERATION

CAS message

02-38-00	ATA 38 – WATER - WASTE TABLE OF CONTENTS	F2000EX EASY
PAGE 2 / 2		CODDE 1
ISSUE 3		DGT94085

INTENTIONALLY LEFT BLANK

F2000EX EASY	ATA 38 – WATER - WASTE GENERAL	02-38-05
CODDE 1		PAGE 1 / 6
DGT94085		ISSUE 3

INTRODUCTION

The F2000EX EASy is equipped with:

- a pressurized water system to supply galley and toilet washbasin,
- a chemical type front (option) and rear toilet unit with a flush and drain system.

SOURCES

EQUIPMENT	POWER
Tank pressurization	HP bleed air of engines or APU bleed air or Air stored in specific accumulator (once the latter is charged)
Cold water for: - RH front galley - Rear toilet washbasin	Pressurized water tank
Hot water	Pressurized water tank through toilet water heater
Water heater	LH (A4) bus
Drain heat systems	RH (B2) bus

02-38-05	ATA 38 – WATER - WASTE GENERAL	F2000EX EASY
PAGE 2 / 6		CODDE 1
ISSUE 3		DGT94085

EQUIPMENT LOCATION

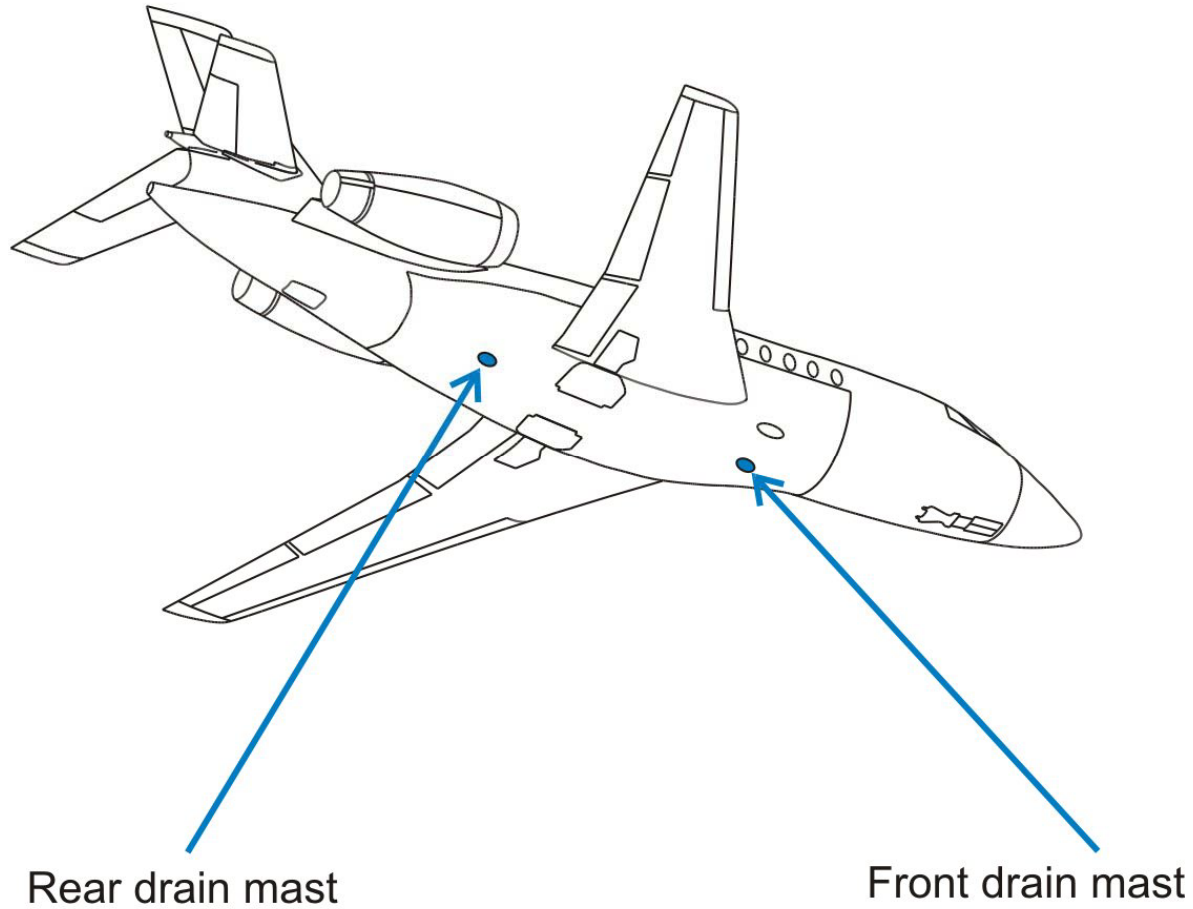


FIGURE 02-38-05-00 FRONT AND REAR DRAINING SYSTEM

F2000EX EASY	ATA 38 – WATER - WASTE GENERAL	02-38-05
CODDE 1		PAGE 3 / 6
DGT94085		ISSUE 3

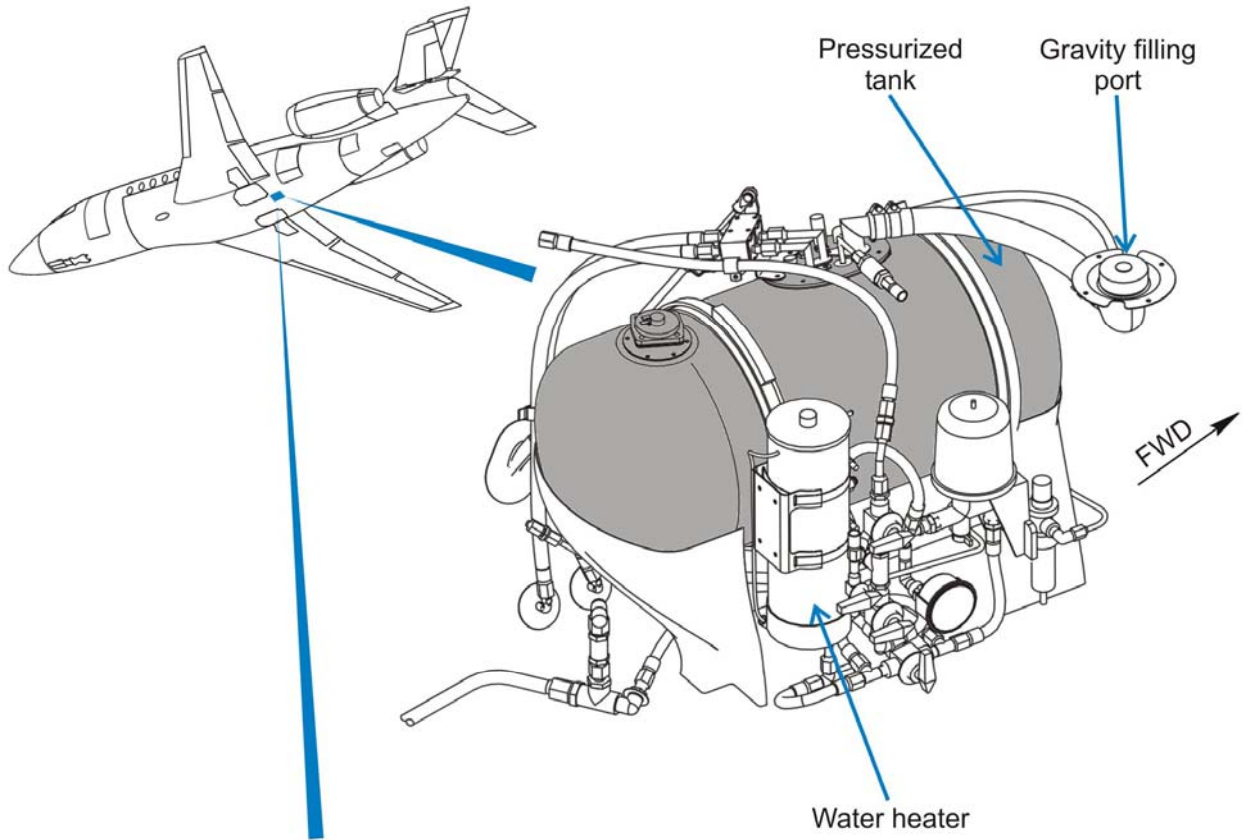
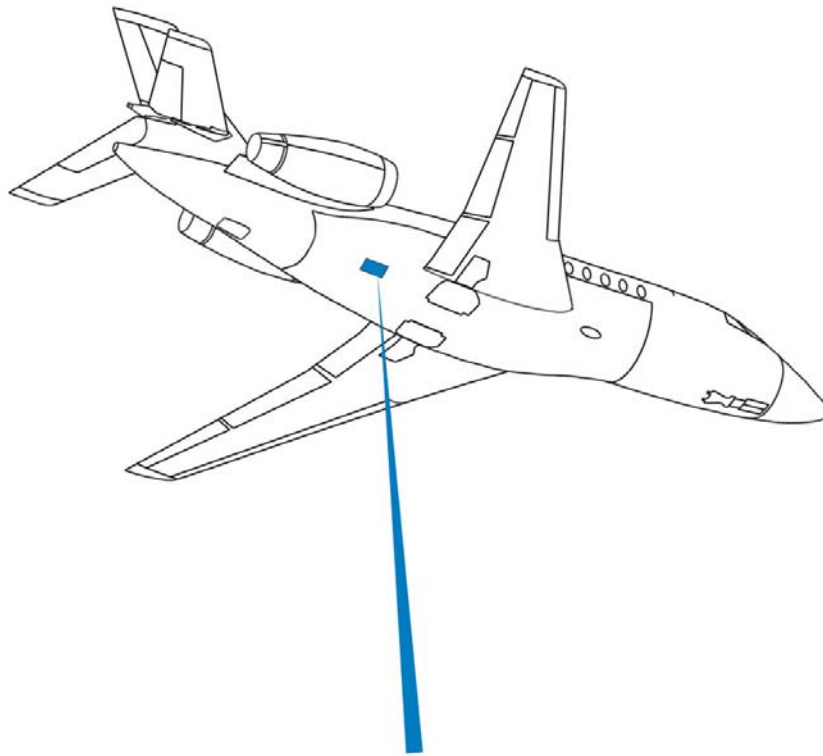


FIGURE 02-38-05-01 POTABLE WATER SERVICE PANEL DOOR AND TANK

02-38-05	ATA 38 – WATER - WASTE GENERAL	F2000EX EASY
PAGE 4 / 6		CODDE 1
ISSUE 3		DGT94085



Toilet service panel door

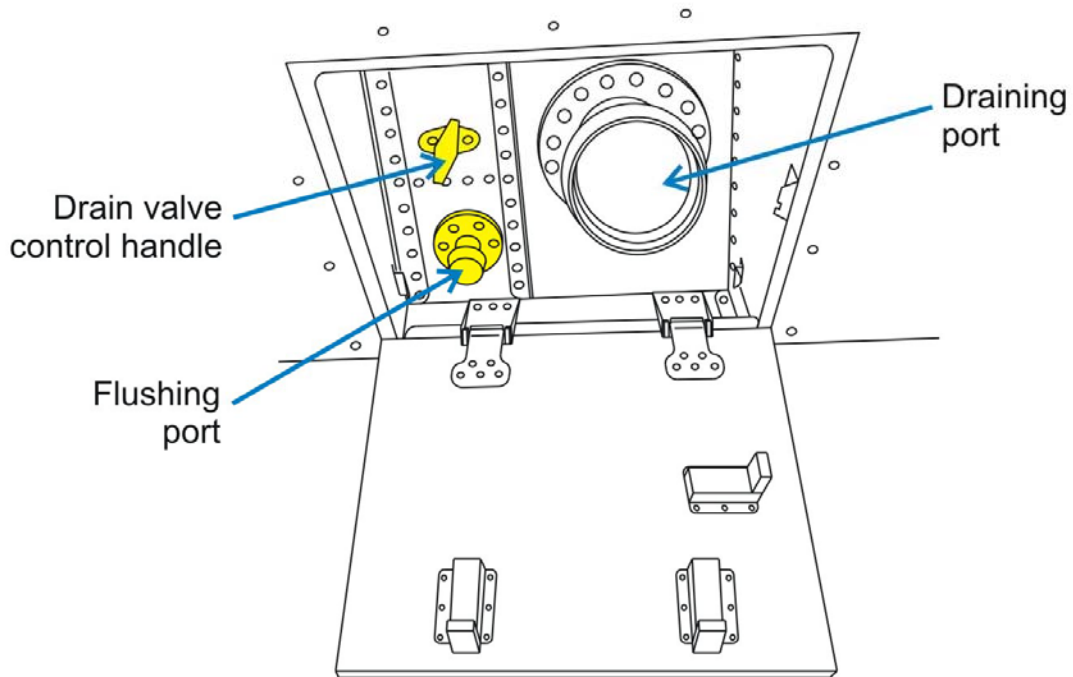


FIGURE 02-38-05-02 TOILET SERVICE PANEL DOOR

F2000EX EASY	ATA 38 – WATER - WASTE GENERAL	02-38-05
CODDE 1		PAGE 5 / 6
DGT94085		ISSUE 3

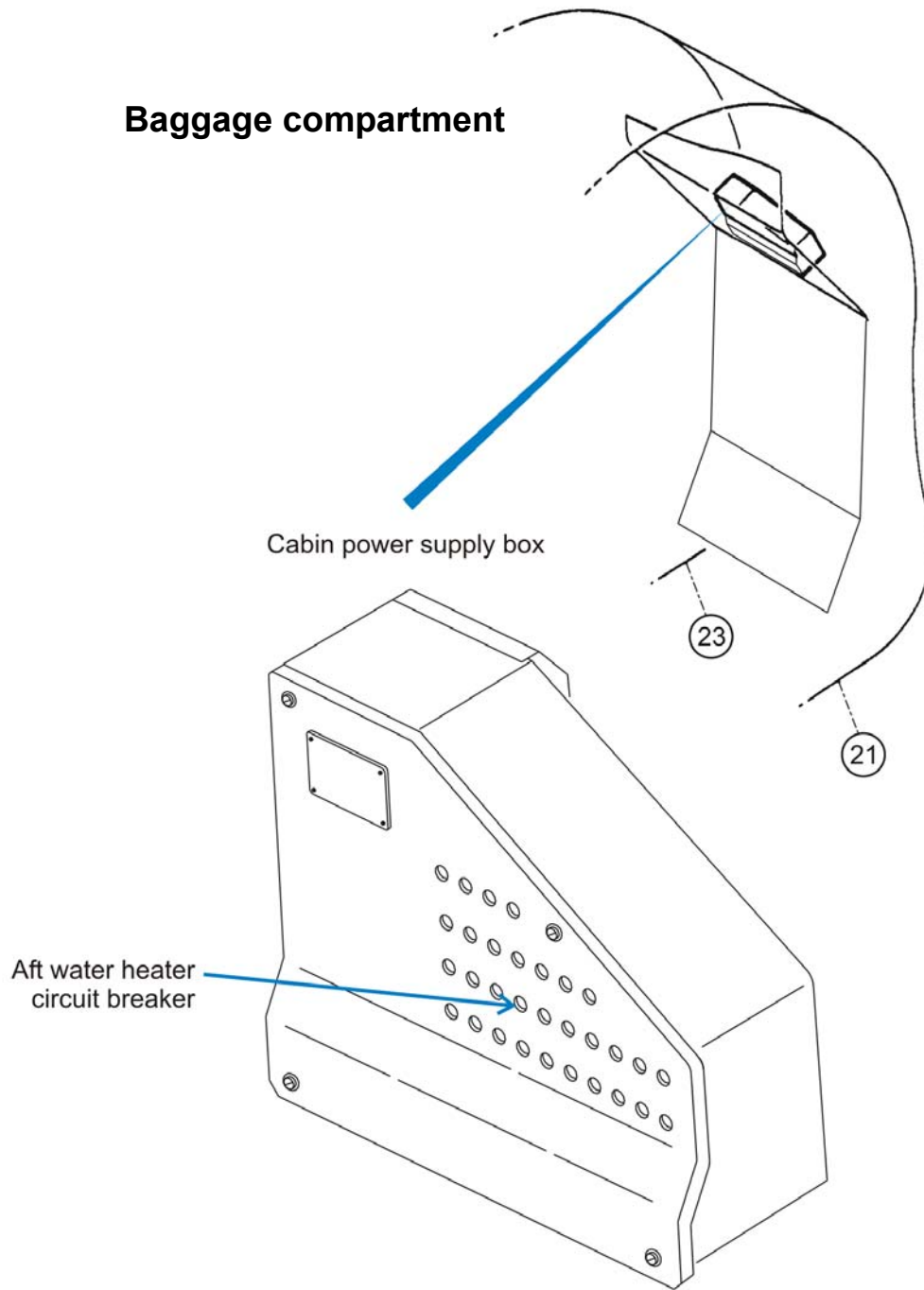


FIGURE 02-38-05-03 CABIN POWER SUPPLY BOX

02-38-05	ATA 38 – WATER - WASTE GENERAL	F2000EX EASY
PAGE 6 / 6		CODDE 1
ISSUE 3		DGT94085

INTENTIONALLY LEFT BLANK

F2000EX EASY	ATA 38 – WATER - WASTE DESCRIPTION	02-38-10
CODDE 1		PAGE 1 / 4
DGT94085		ISSUE 3

GENERAL

POTABLE PRESSURIZED WATER SYSTEM

The pressurized water system supplies:

- the RH front galley,
- the rear toilet washbasin.

The pressurized water system essentially includes a potable water tank that can be filled by gravity through a filling port located on the RH of the washbasin bowl, in the rear toilet or by pressure through a port inside potable water service door.

Potable water tank capacity: 10 USG (38 liters).

NOTE

The water pressure of the external filling source must not exceed 60 psi (4 bar).

NOTE

To open gravity filling cap, press it before to depressurize the water tank.

NOTE

Water tank must be filled only with potable water (distilled and softened water prohibited).

Water is distributed by tank pressure. Water system pressurization is ensured by pressurized air bled from the engines or from the APU, or in flight by air stored in one specific accumulator.

Toilet water heater supplies hot water to the rear toilet washbasin. It provides 1.4 water liter at 52°C (125°F) approximately. It is load shed when GALLEY MASTER pushbutton is OFF.

NOTE

The water system can be drained to prevent damage by freezing in normal operating conditions, it is recommended to drain the tank to avoid contamination.

For more information, see GROUND SERVICING (DGT681).

02-38-10	ATA 38 – WATER - WASTE DESCRIPTION	F2000EX EASY
PAGE 2 / 4		CODDE 1
ISSUE 3		DGT94085

WASTE WATER

Waste water is drained through water front and rear drain masts located under the fuselage. These masts and certain lines are electrically anti-ice.

➤ for more information, refer to ATA 30.

CHEMICAL TOILET

The chemical-type rear toilet unit features a drain pan with a drain valve and bowl equipped with a flush and drain system.

Toilet waste water draining and toilet water tank filling can be performed through ports inside toilet service panel.

Toilet has a fiberglass drain pan with a capacity of 14.3 USG (54 liters) included 2.5 USG (8.5 liters) for pre-loaded.

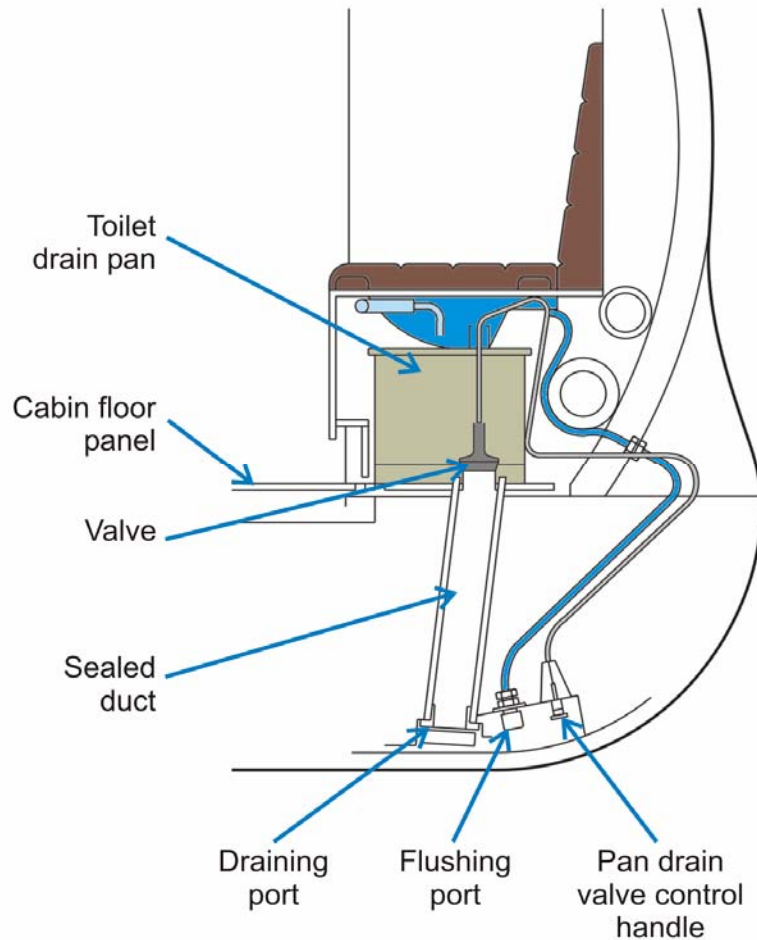


FIGURE 02-38-10-00 REAR CHEMICAL TOILET

F2000EX EASY	ATA 38 – WATER - WASTE DESCRIPTION	02-38-10
CODDE 1		PAGE 3 / 4
DGT94085		ISSUE 3

FORWARD CREW LAVATORY (OPTION)

A lavatory compartment is installed immediately in front of the main entry door.

The compartment houses an electric-flush toilet serviced through an external panel on the forward lower RH fuselage. On the outboard side wall, a panel incorporates a fold-out sink with hot/cold water faucet. Waste water drains overboard through a heated drain mast system.

The forward bulkhead contains a header incorporating a 220 V / 50 Hz power outlet, dual oxygen mask dropout box, a Public Ad system speaker and a RETURN TO SEAT sign.

A ventilating system is installed in the compartment (2 fans under floor and 2 suction grids).

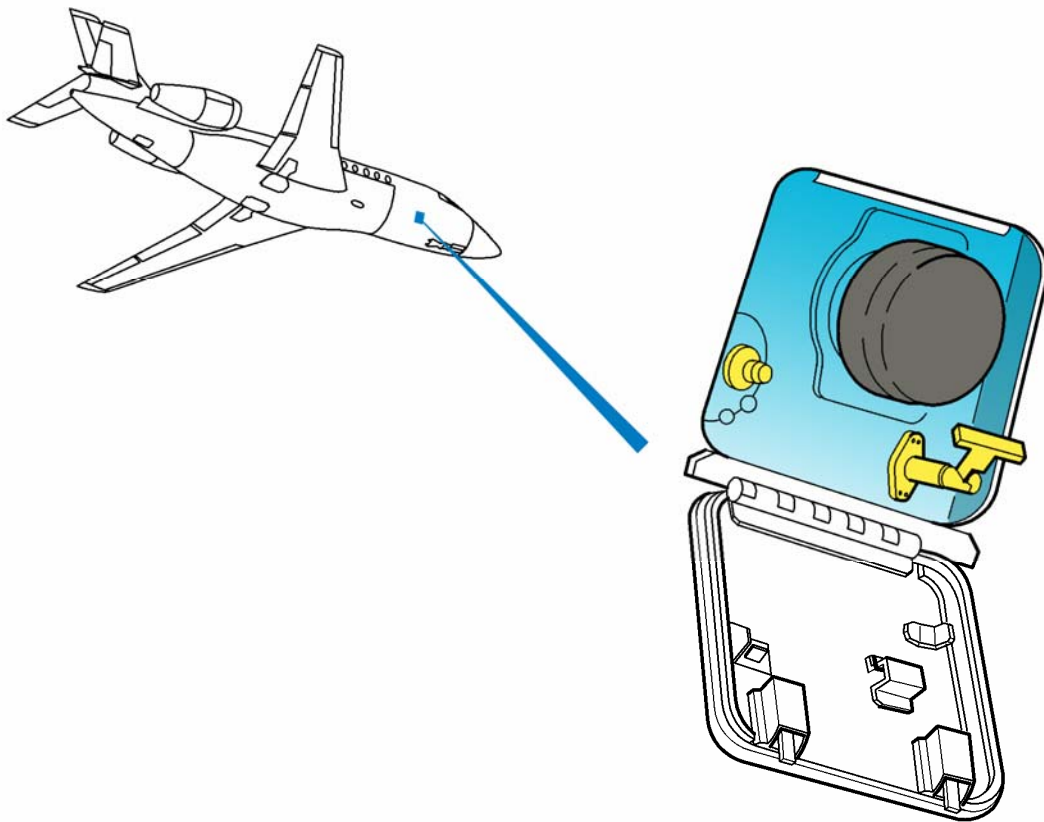


FIGURE 02-38-10-01 FORWARD TOILET SERVICE PANEL DOOR (OPTIONAL)

DOOR FWD TOILET CAS message appears when forward toilet service panel door is not properly closed.

02-38-10	ATA 38 – WATER - WASTE DESCRIPTION	F2000EX EASY
PAGE 4 / 4		CODDE 1
ISSUE 3		DGT94085

INTENTIONALLY LEFT BLANK

CONTROL

DISTRIBUTION VALVES

Located in front of the water tank in the toilet compartment, distribution valves allow to isolate or drain the different components of the water pressurized system. For more information refer to the GROUND SERVICING (DGT681) manual for use.

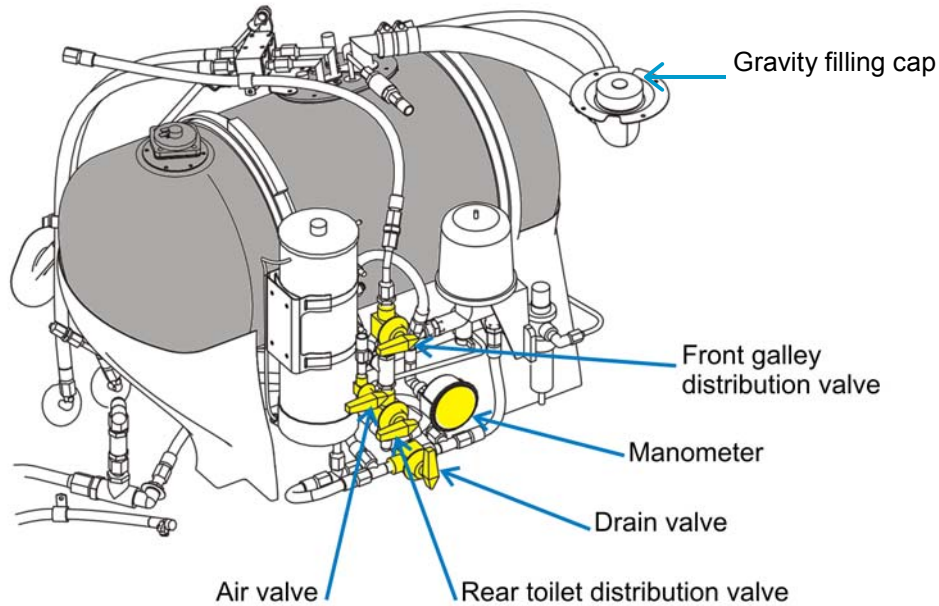


FIGURE 02-38-15-00 DISTRIBUTION VALVES

CONTROL	FUNCTION
Air valve	To cut off the pressurized air supply to the potable water tank
Rear toilet distribution valve	To isolate the rear washbasin from the fresh water supply system
Drain valve	To drain the potable water tank
Front galley distribution valve	To isolate the front galley from the fresh water supply system
BP manometer	To Indicate air pressure in tank (normal: 20 psi)

GRAVITY FILLING CAP

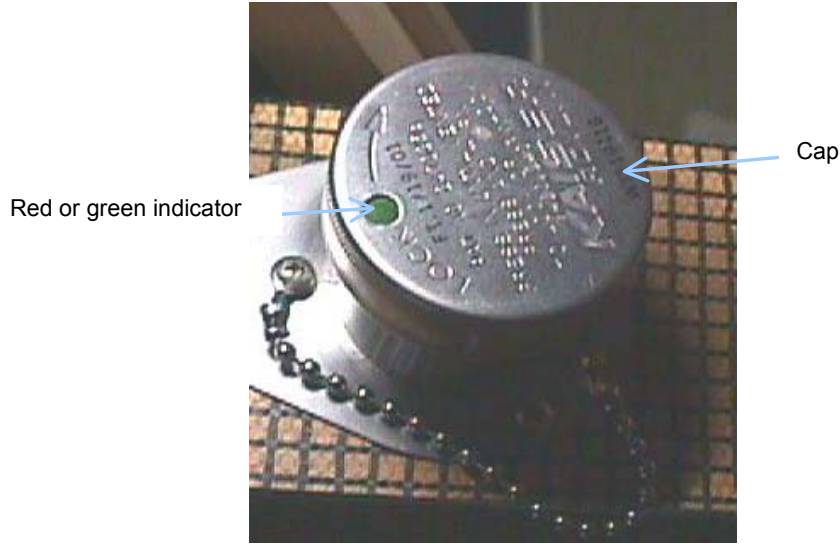


FIGURE 02-38-15-01 FILLING CAP

CONTROL	FUNCTION
Cap	Press to depressurize the water tank
Cap	Turn to move it
Red indicator	Cap unlocked
Green indicator	Cap locked

F2000EX EASY	ATA 38 – WATER - WASTE CONTROL AND INDICATION	02-38-15
CODDE 1		PAGE 3 / 6
DGT94085		ISSUE 3

WATER PRESSURE INDICATION

The manometer(s) is(are) located:

- on the rear toilet water tank,
- in the forward galley (option).



FIGURE 02-38-15-02 WATER TANK CONTROL AND INDICATION

The pressure indicator located in RH bulkhead in baggage compartment indicates the accumulator water tank pressure.



FIGURE 02-38-15-03 ACCUMULATOR WATER TANK PRESSURE

WATER HEATER TEST PANEL

The water heater test panel is located in rear toilet, LH bulkhead.

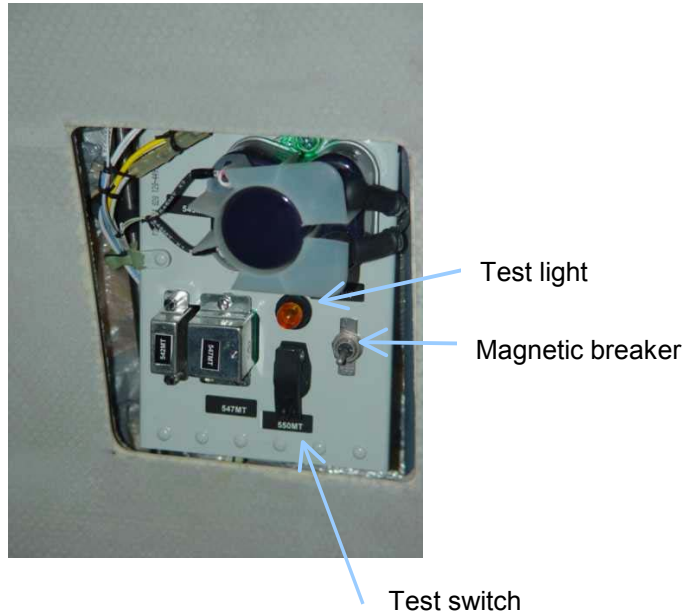


FIGURE 02-38-15-04 WATER HEATER TEST PANEL

CONTROL	FUNCTION
Water heater test switch	<ul style="list-style-type: none"> - It is used to test the water heating device - When set to TEST, the water heater test switch allows illumination of water heater test light if heating resistors are energized
Water heater test light	Illuminated if test switch in TEST position and heating resistors energized
Water heater magnetic breaker	It is used to reset the water heater power supply unit after cut off due to failure detection

POTABLE WATER SERVICE PANEL DOOR



FIGURE 02-38-15-05 SERVICE PANEL DOOR

CONTROL	FUNCTION
Control handle	When the handle is pulled, the tank filling and venting lines open When the handle is pushed, the tank filling and venting lines close
Water full light	Indicates that the tank is full

02-38-15	ATA 38 – WATER - WASTE CONTROL AND INDICATION	F2000EX EASY
PAGE 6 / 6		CODDE 1
ISSUE 3		DGT94085

TOILET SERVICE PANEL DOOR

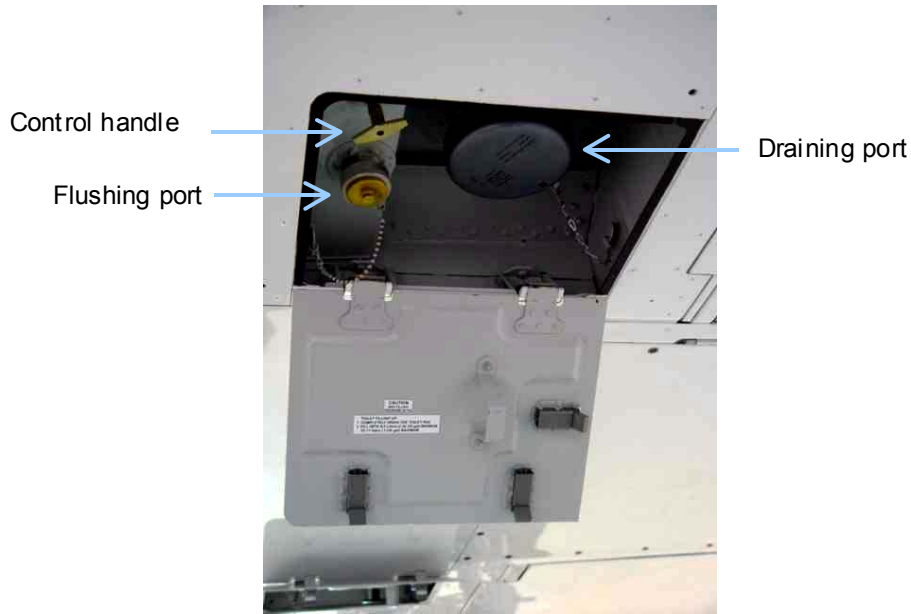


FIGURE 02-38-15-06 SERVICE PANEL DOOR

CONTROL	FUNCTION
Drain valve control handle	When the handle is pulled, the drain valve opens (connect the flushing tube before)

Controls and functions are identical for the optional forward toilet service panel.



FIGURE 02-38-15-07 TOILET PUSHBUTTONS

F2000EX EASY	ATA 38 – WATER - WASTE SYSTEM PROTECTION	02-38-20
CODDE 1		PAGE 1 / 2
DGT94085		ISSUE 3

INTRODUCTION

The water system is protected by conventional trip-free circuit breakers located above the overhead panel and in the baggage compartment (cabin power supply box).

CIRCUIT BREAKERS

OVERHEAD PANEL

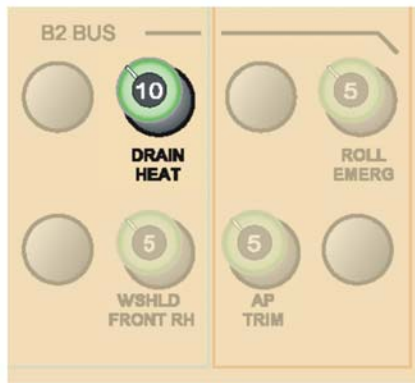


FIGURE 02-38-20-00 DRAIN HEAT CIRCUIT BREAKER

CABIN SUPPLY POWER BOX

Water heater breaker



FIGURE 02-38-20-01 WATER HEATER CIRCUIT BREAKER

02-38-20	ATA 38 – WATER - WASTE SYSTEM PROTECTION	F2000EX EASY
PAGE 2 / 2		CODDE 1
ISSUE 3		DGT94085

PRESSURE RELIEVE VALVES

The water supply system and the tank are protected against overpressure through pressure relief valves. The tank is also protected against negative pressure through a relief valve.

F2000EX EASY	ATA 38 – WATER - WASTE ABNORMAL OPERATION	02-38-25
CODDE 1		PAGE 1 / 2
DGT94085		ISSUE 3

CAS MESSAGE

CAS MESSAGE	DEFINITION
DOOR FWD TOILET	Forward toilet door is open (option).

02-38-25	ATA 38 – WATER - WASTE ABNORMAL OPERATION	F2000EX EASY
PAGE 2 / 2		CODDE 1
ISSUE 3		DGT94085

INTENTIONALLY LEFT BLANK