



**OPERATIONS MANUAL**  
**SECTION 6-1**

**AIRPLANE DESCRIPTION**

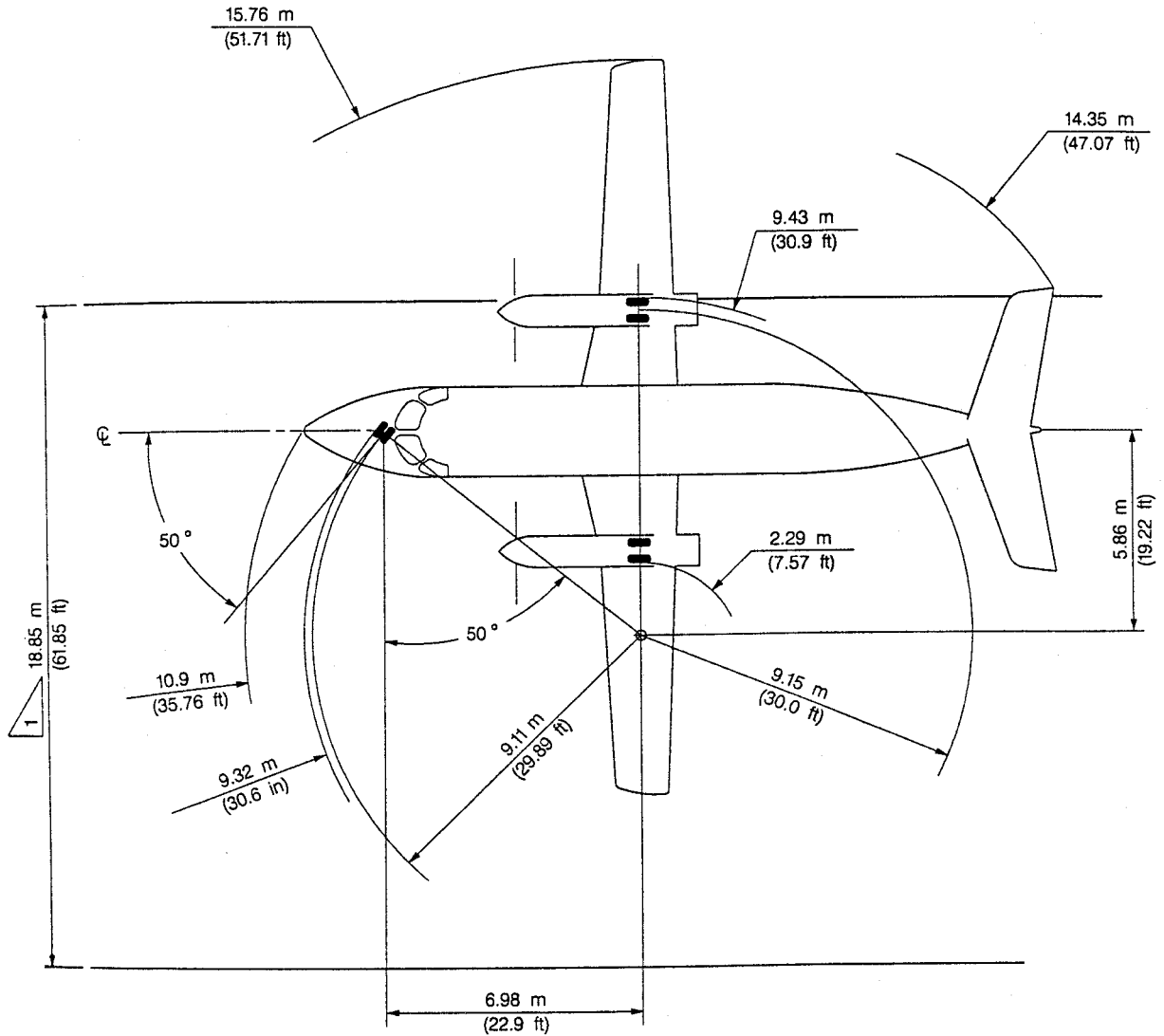
<b>Index</b>	<b>Page</b>
Minimum Turning Radii – No-slip Angle .....	6-1-3
Passenger Configuration N° 1 .....	6-1-4
Passenger Configuration N° 2 .....	6-1-5
Passenger Configuration N° 3 .....	6-1-6
Passenger Configuration N° 7 and 11 .....	6-1-7
Principal Dimensions .....	6-1-8
Cockpit Arrangement .....	6-1-9
Pilot's Sidewall .....	6-1-10
Copilot's Sidewall .....	6-1-11
Pilot's Panel (COLLINS Configuration) .....	6-1-12
Copilot's Panel (COLLINS Configuration) .....	6-1-13
Pilot's Panel (BENDIX Configuration) .....	6-1-14
Copilot's Panel (BENDIX Configuration) .....	6-1-15
Center Panel (COLLINS Configuration) .....	6-1-16
Forward Panel (COLLINS Configuration) .....	6-1-17
Center Panel (BENDIX Configuration) .....	6-1-18
Forward Panel (BENDIX Configuration) .....	6-1-18
Overhead Panel .....	6-1-19
Control Stand .....	6-1-20
Aft Panel (COLLINS Configuration) .....	6-1-21
Aft Panel (BENDIX Configuration) .....	6-1-22
Attendant's Panel .....	6-1-23

16-011-001





OPERATIONS MANUAL



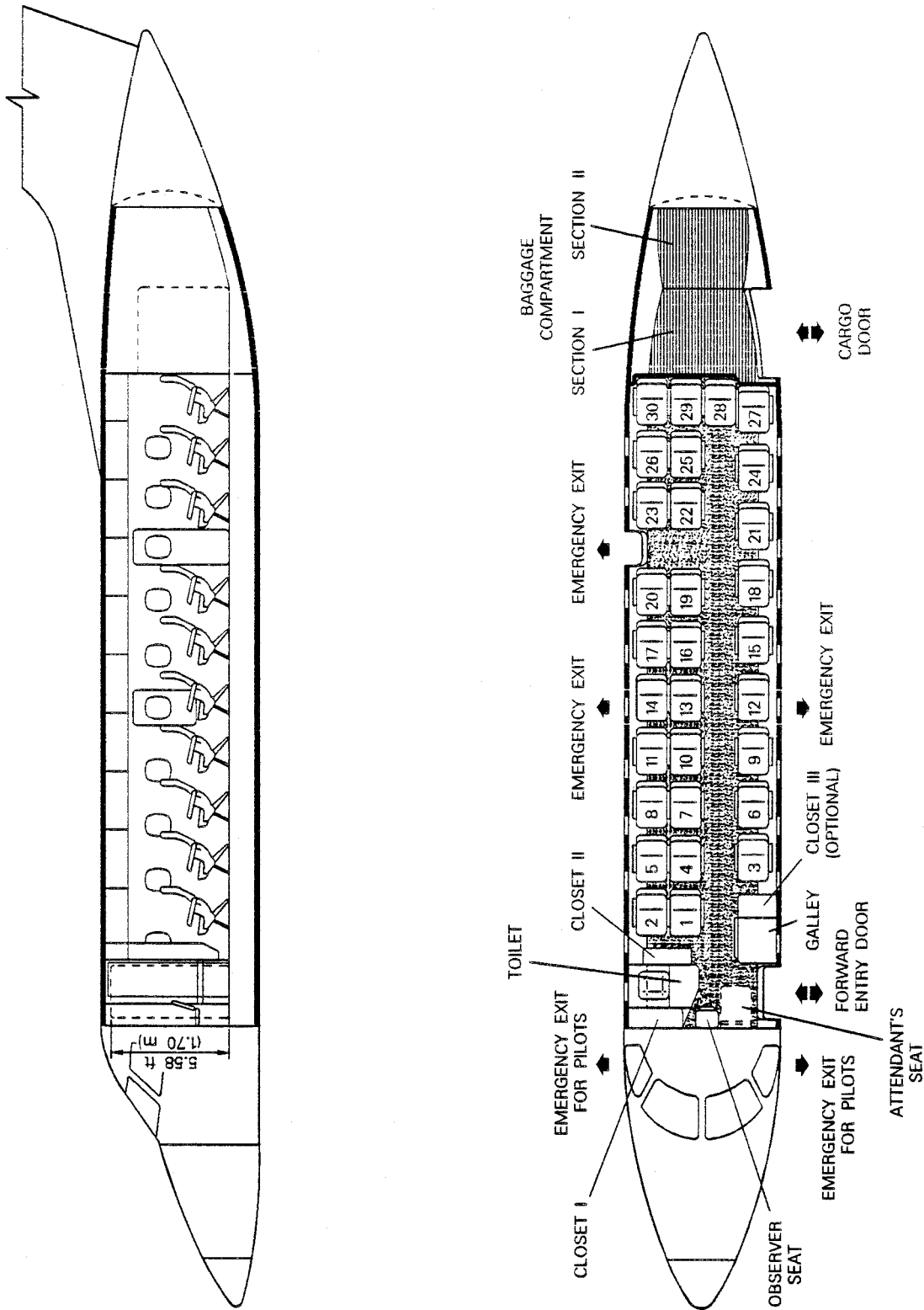
1 PAVEMENT WIDTH FOR 180° TURN

NOTE : THE CORRECT OPERATING DATA WILL BE HIGHER THAN THE VALUES SHOWN BECAUSE TIRE SLIPPAGE IS NOT INCLUDED IN THIS CALCULATION

1200M010180.TIF

16-011-001

MINIMUM TURNING RADII – NO-SLIP ANGLE



1200M010159.TIF

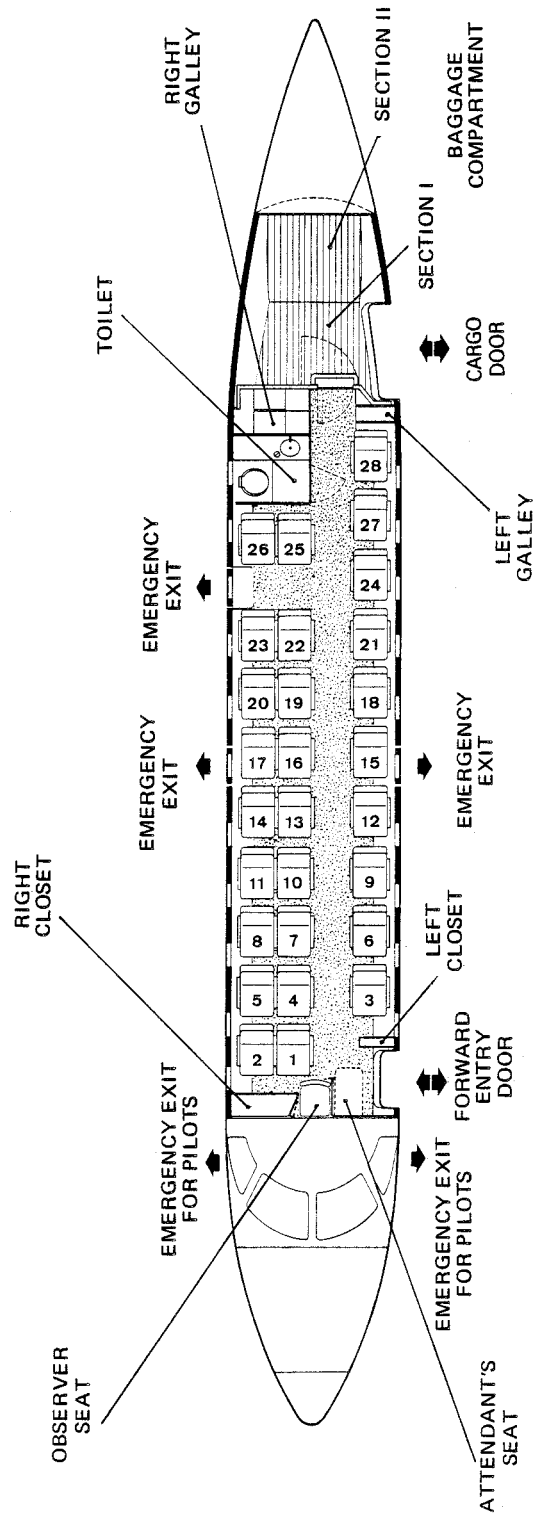
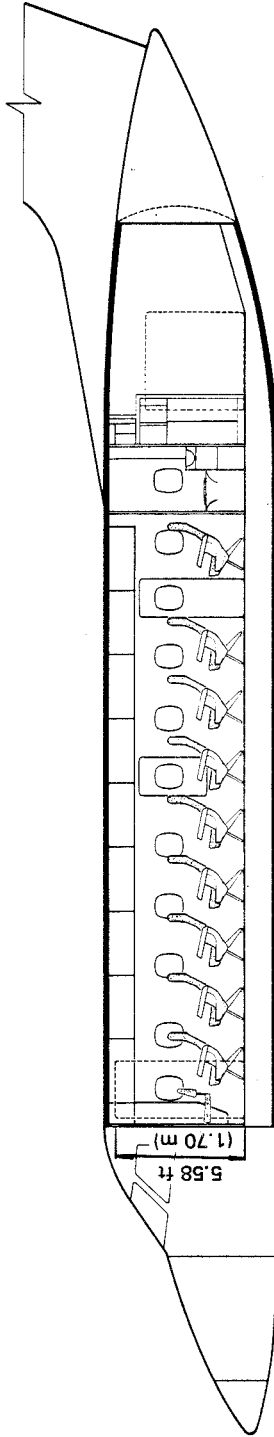
PASSENGER CONFIGURATION N°. 1

16-011-001



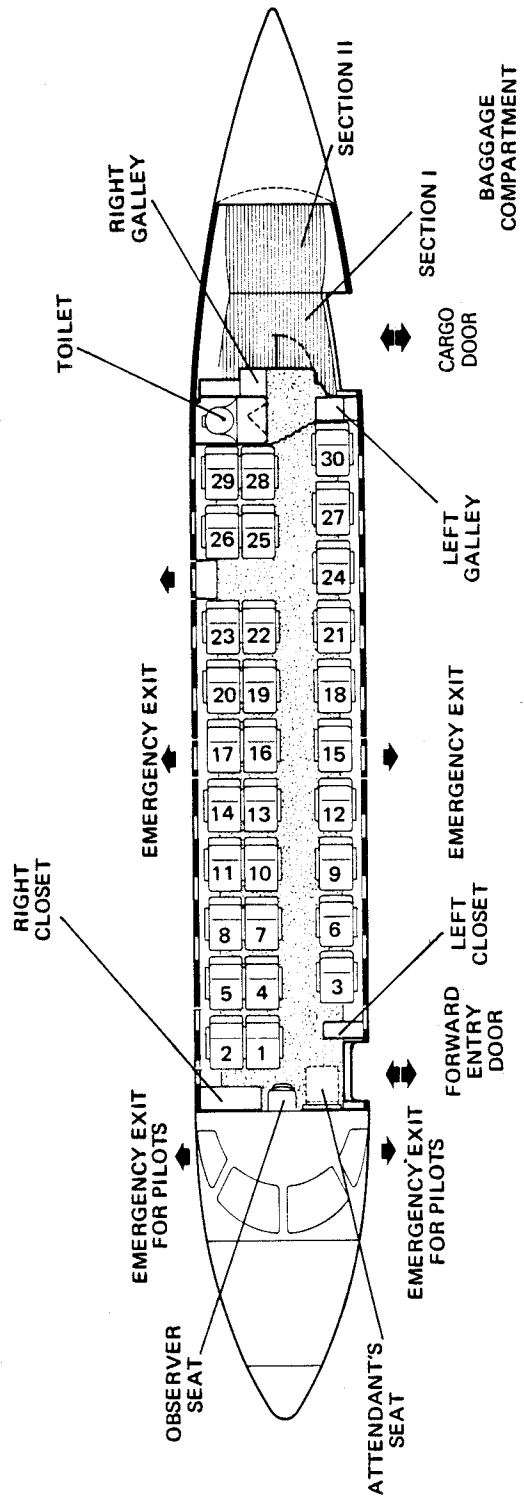
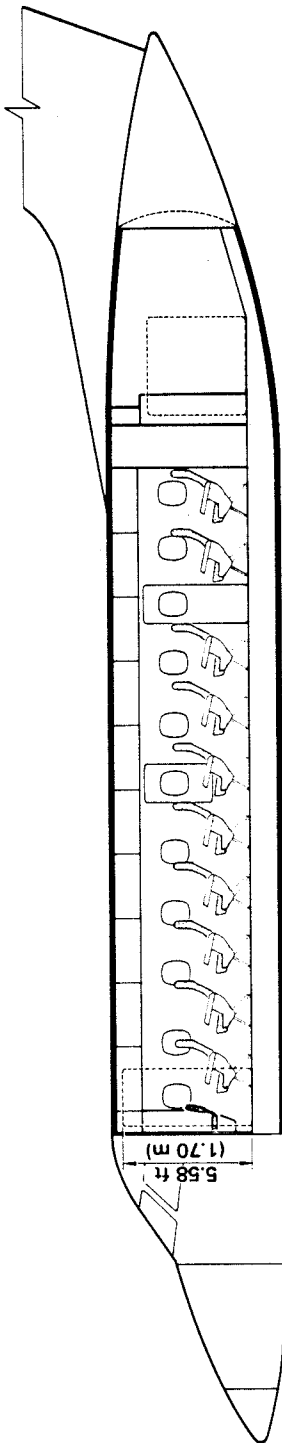
# OPERATIONS MANUAL

1200M010160.TIF



16-011-001

PASSENGER CONFIGURATION N°. 2



1200M010161.TIF

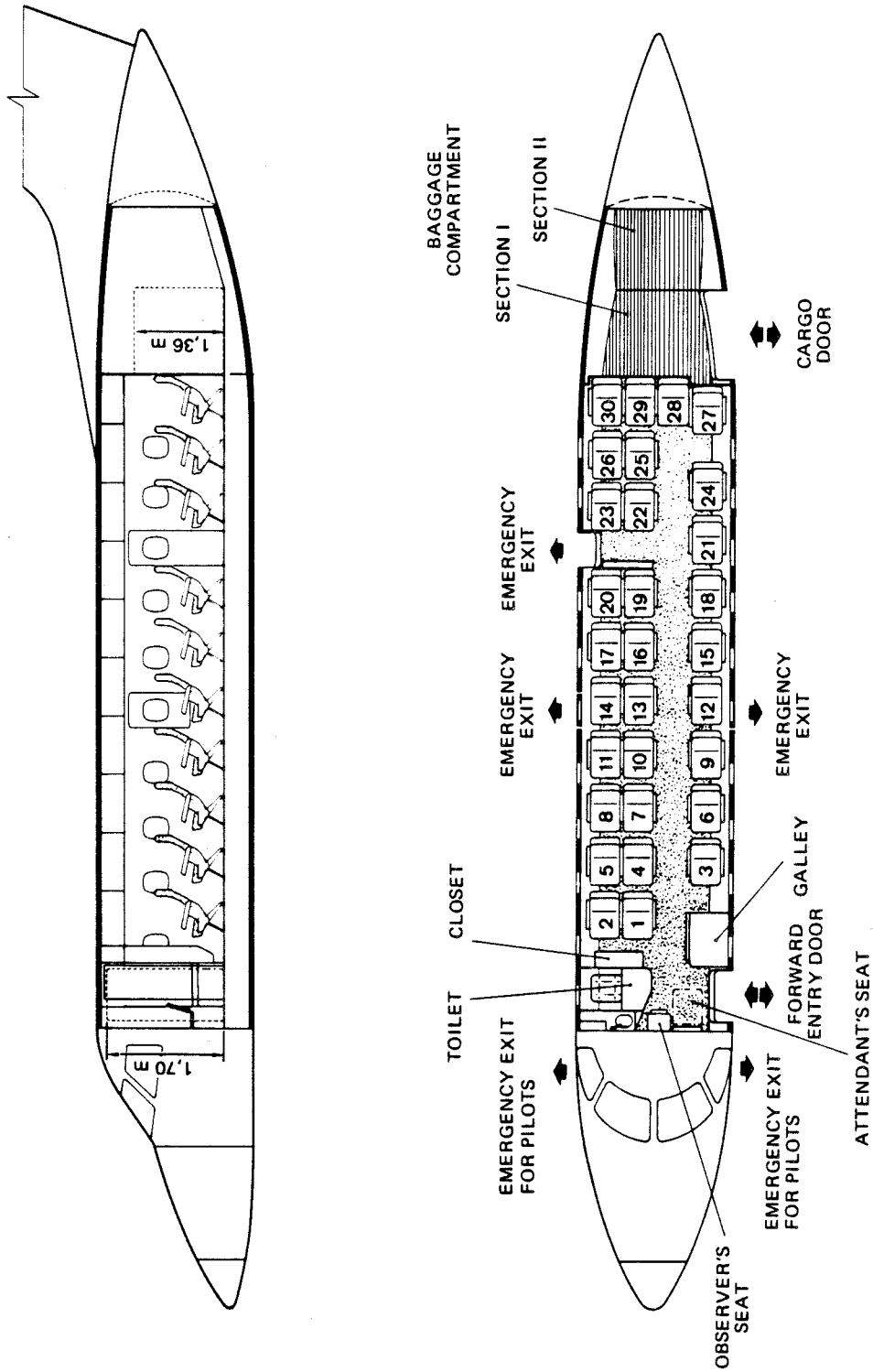
PASSENGER CONFIGURATION N° 3

16-011-001



# OPERATIONS MANUAL

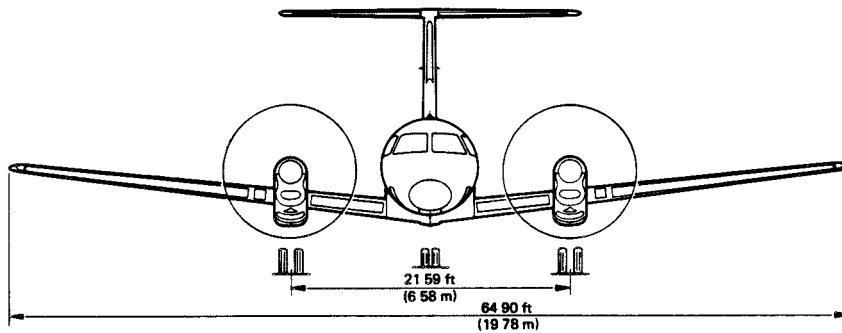
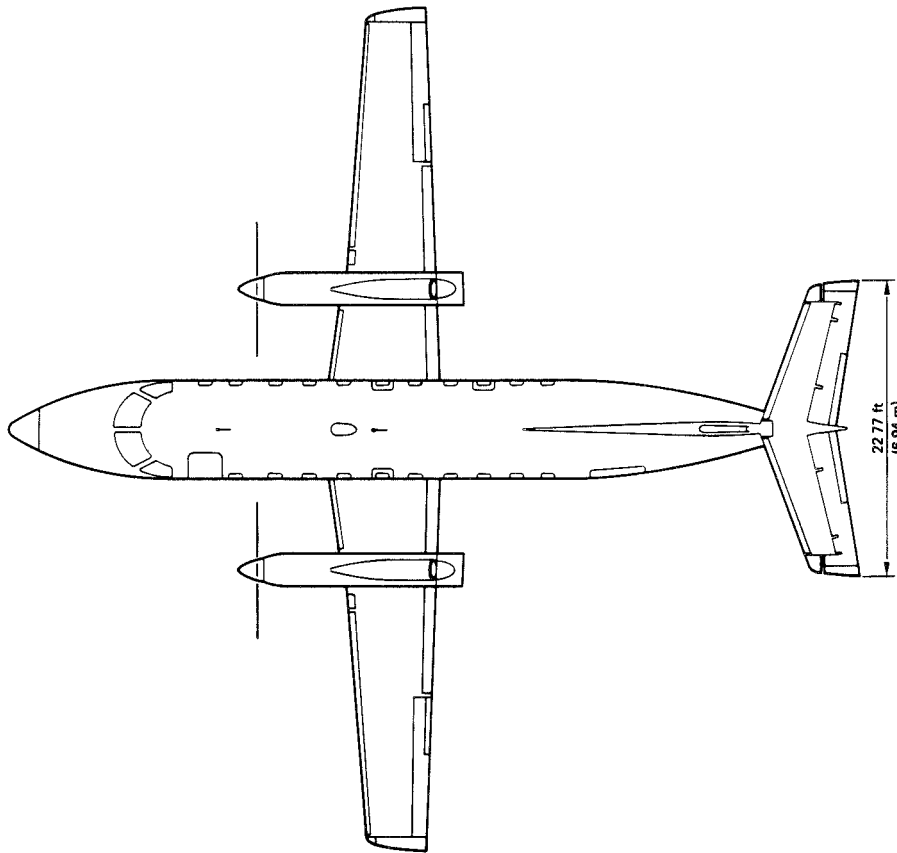
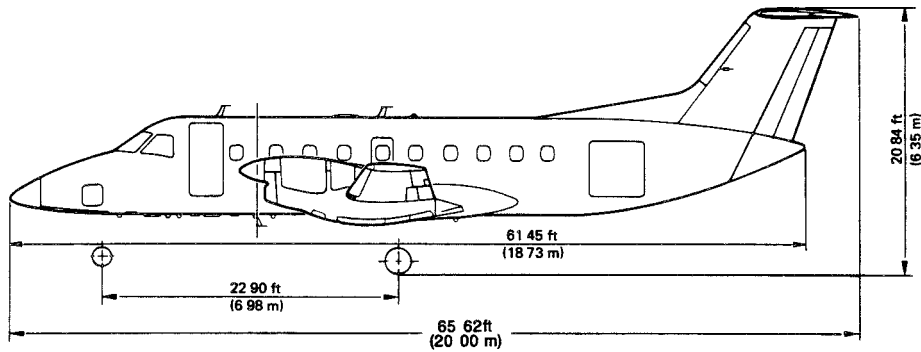
16-011-001



1200M010162.TIF

PASSENGER CONFIGURATION No. 7 AND 11

**← EMBRAER**  
**EMB120 Brasília**  
**OPERATIONS MANUAL**



1200M010002.TIF

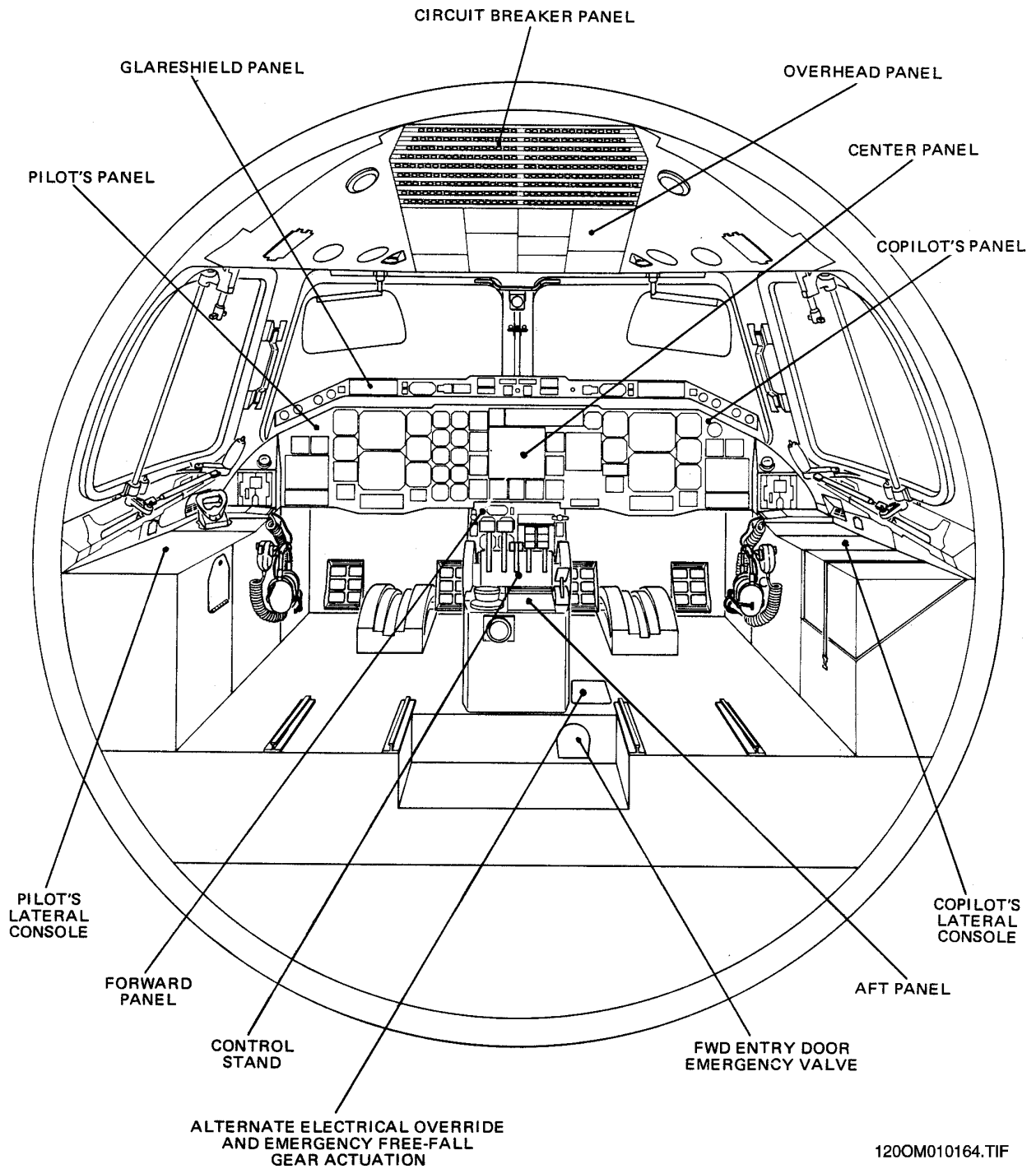
**PRINCIPAL DIMENSIONS  
(LEVELED AIRPLANE)**

16-011-001





# OPERATIONS MANUAL



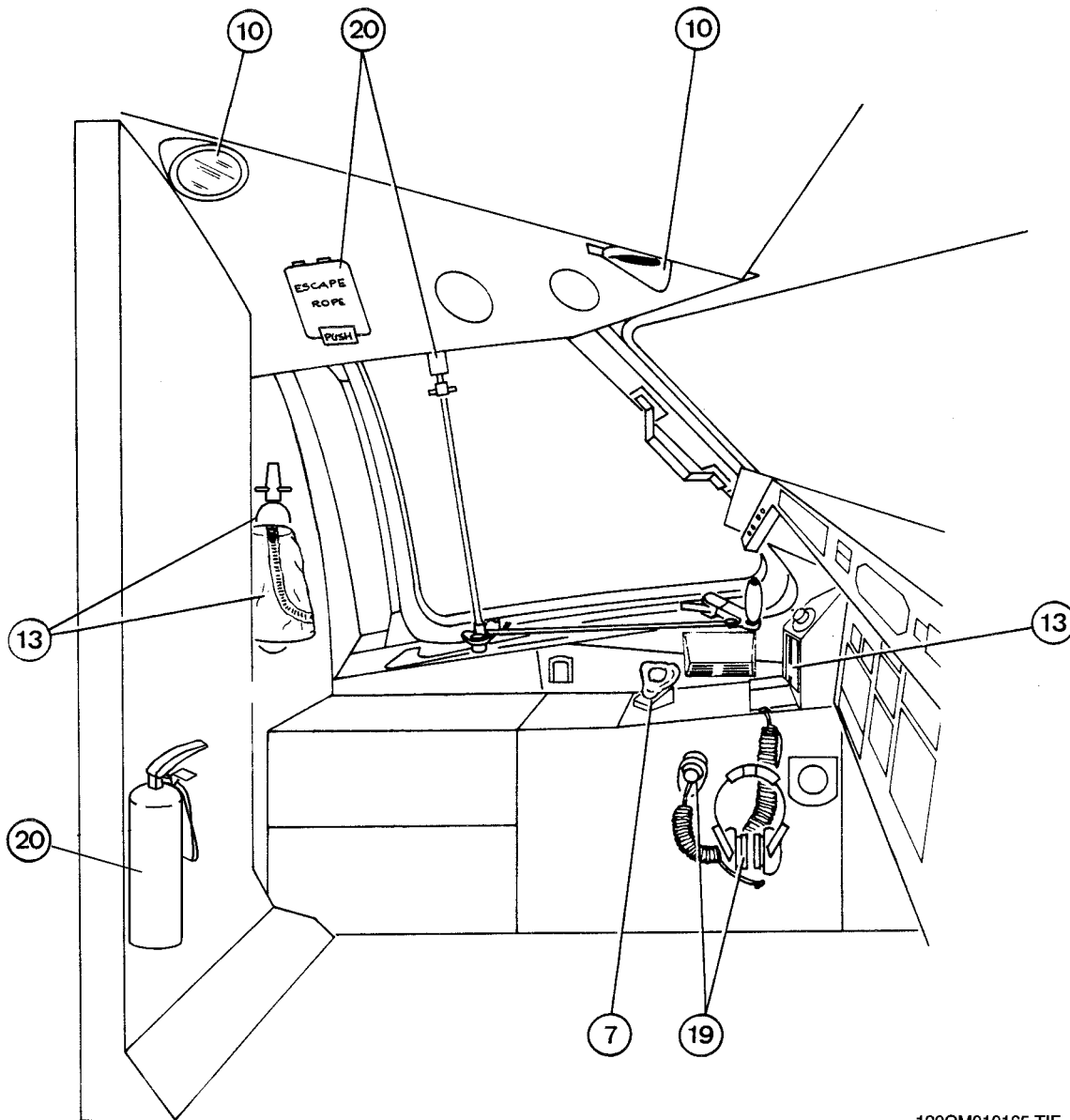
1200M010164.TIF

16-011-001

**COCKPIT ARRANGEMENT (TYPICAL)**



CIRCLED NUMBERS REFER TO SECTIONS WHERE  
INFORMATION ON THE ITEM MAY BE FOUND



120OM010165.TIF

PILOT'S SIDEWALL (TYPICAL)

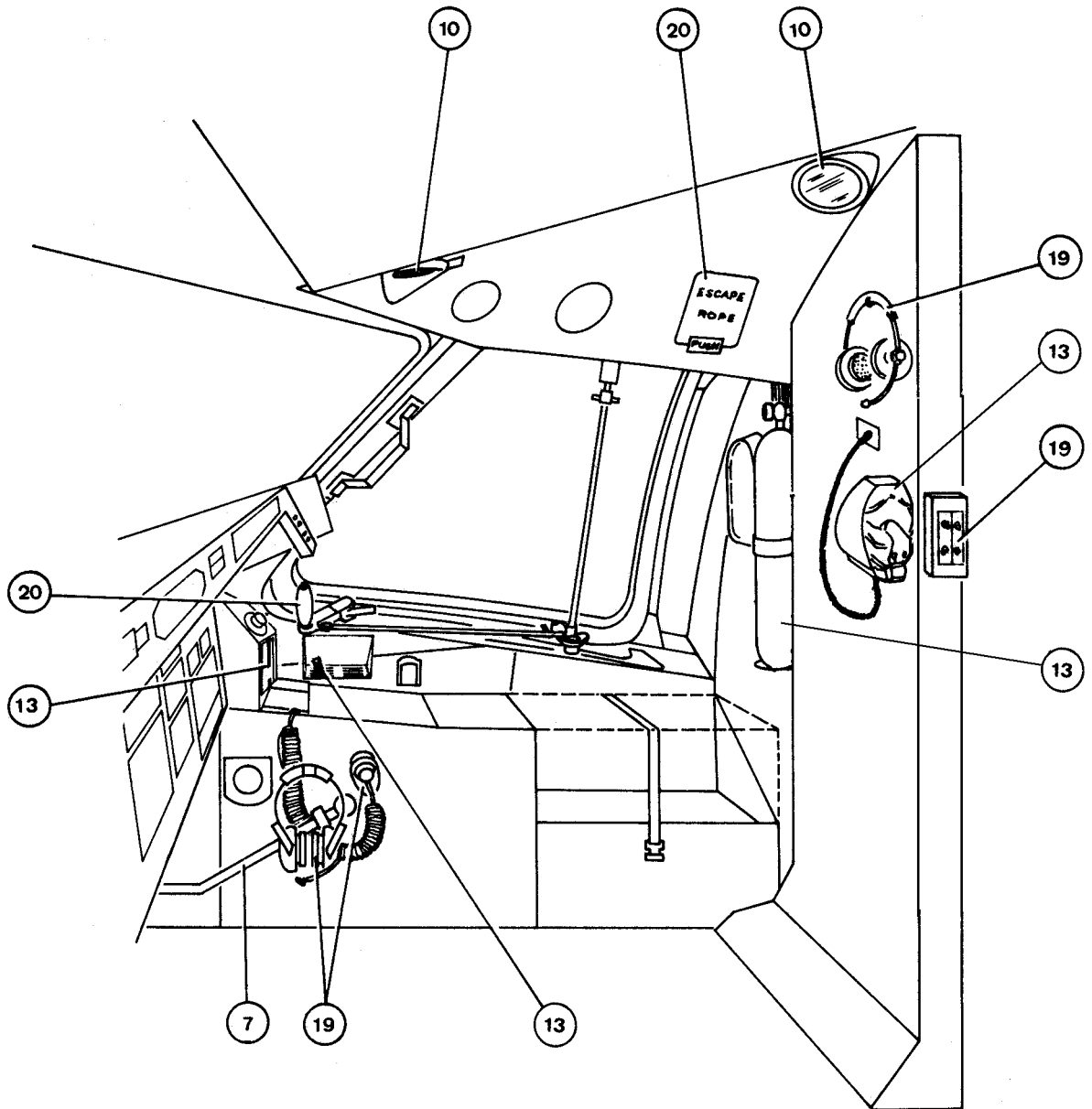
16-011-001

20 JANUARY 2002



# OPERATIONS MANUAL

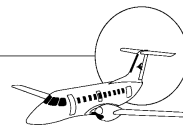
CIRCLED NUMBERS REFER TO SECTIONS WHERE INFORMATION ON THE ITEM MAY BE FOUND



120OM010166.TIF

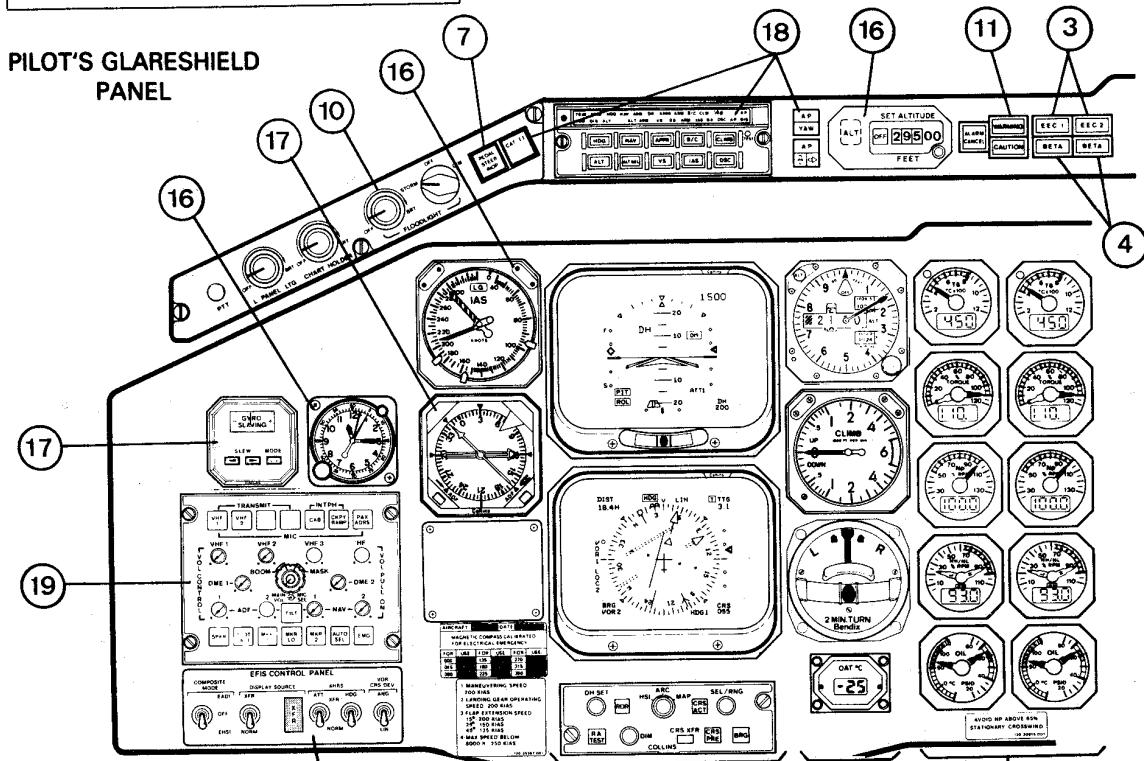
16-011-001

**COPILOT'S SIDEWALL (TYPICAL)**

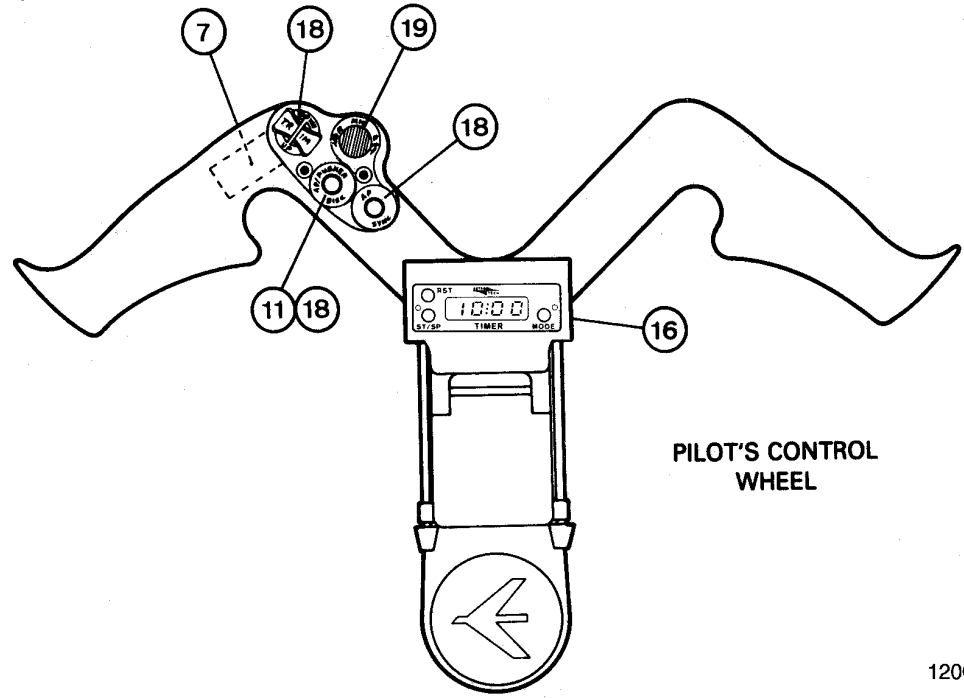


CIRCLED NUMBERS REFER TO SECTIONS WHERE INFORMATION ON THE ITEM MAY BE FOUND

PILOT'S GLARESHIELD PANEL



PILOT'S PANEL  
(TYPICAL EFIS COLLINS CONFIGURATION)



PILOT'S CONTROL WHEEL

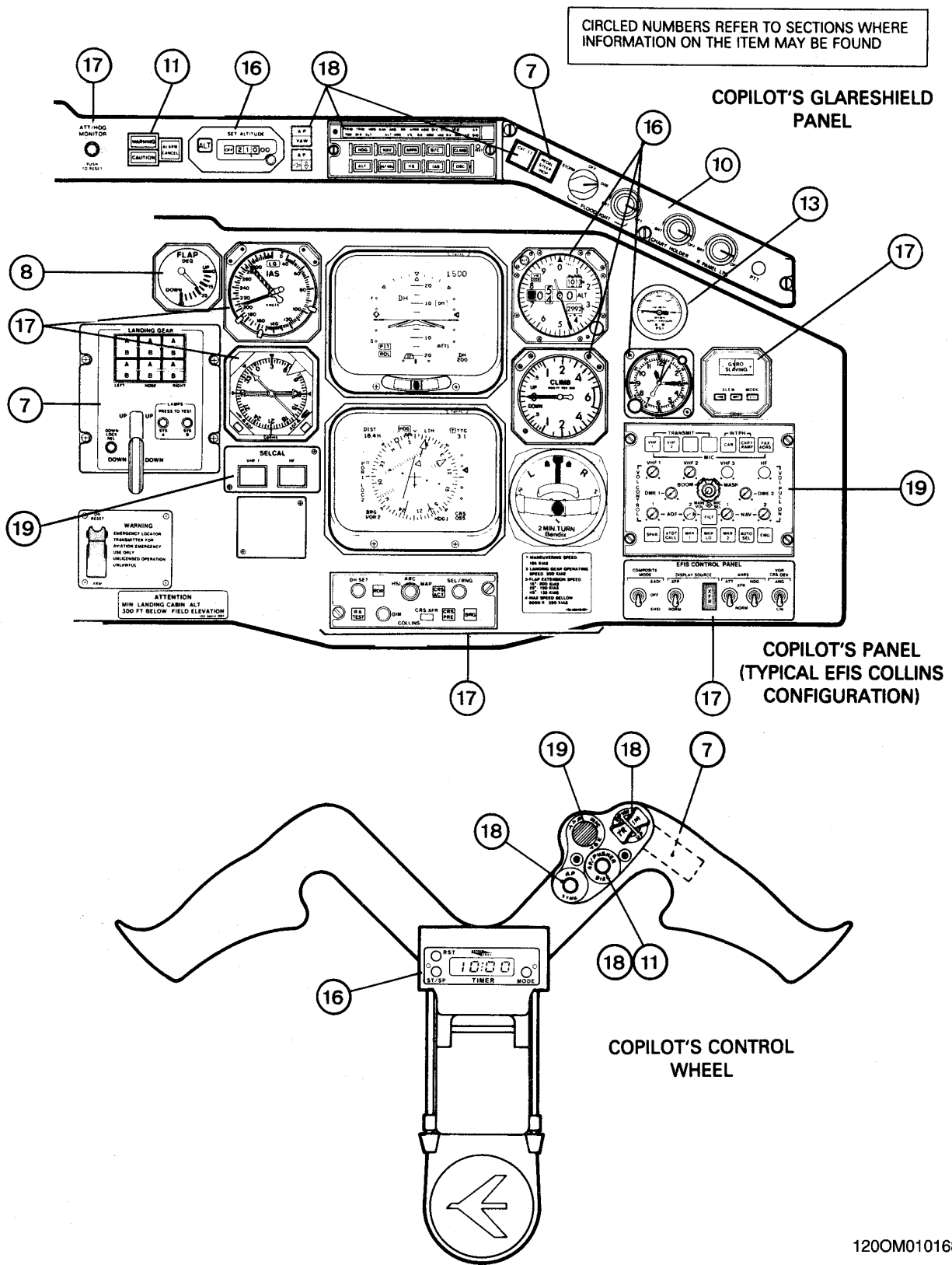
1200M010167.TIF

16-011-001



# OPERATIONS MANUAL

CIRCLED NUMBERS REFER TO SECTIONS WHERE INFORMATION ON THE ITEM MAY BE FOUND

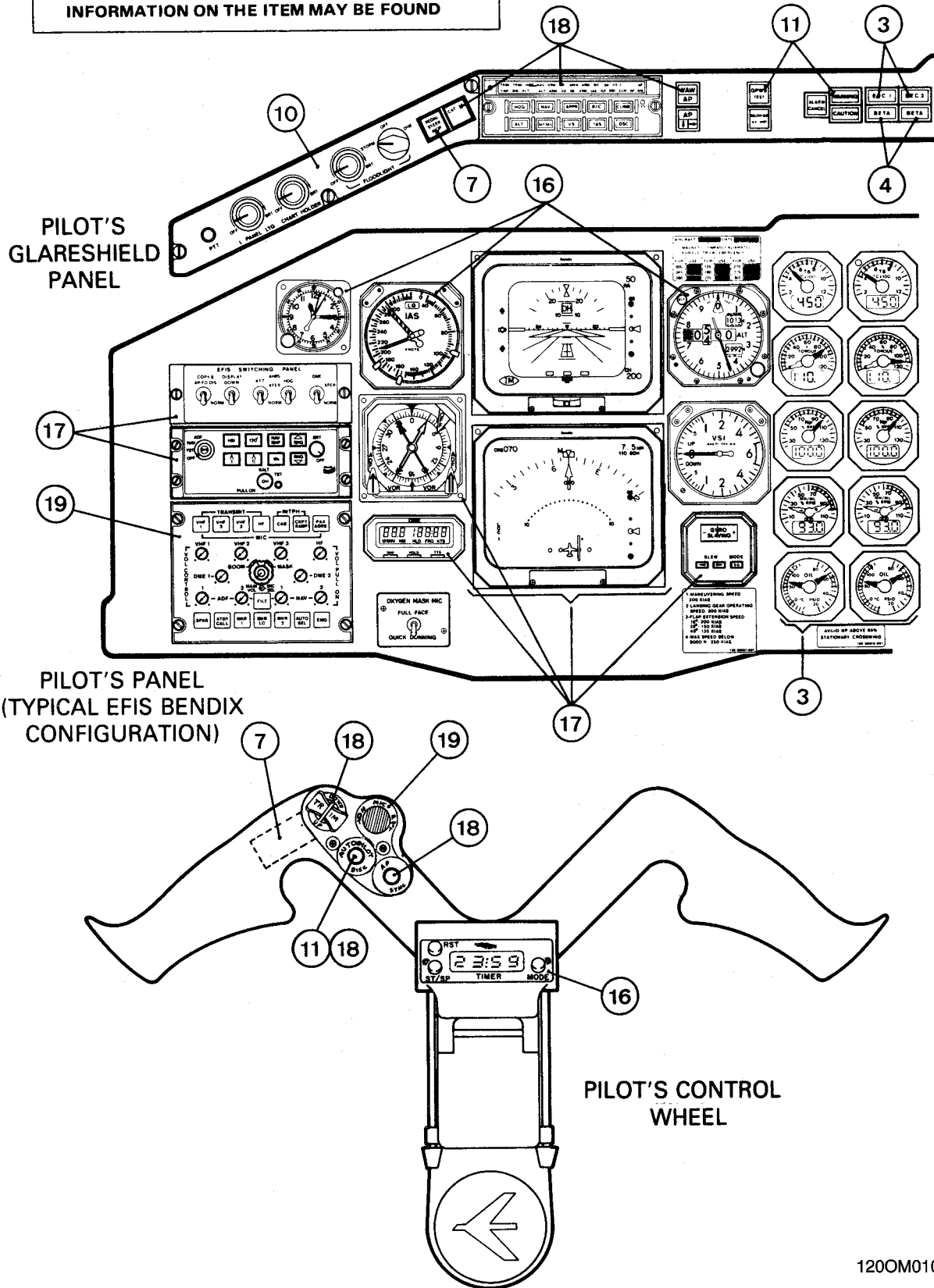


16-011-001

1200M010168.TIF



CIRCLED NUMBERS REFER TO SECTIONS WHERE INFORMATION ON THE ITEM MAY BE FOUND



PILOT'S GLARESHIELD PANEL

PILOT'S PANEL (TYPICAL EFIS BENDIX CONFIGURATION)

PILOT'S CONTROL WHEEL

MANEUVERING SPEED  
100 KIAS  
2 LANDING OR AIR OPERATING SPEED: 100 KIAS  
3 MAX. EXTENSION SPEED: 150 KIAS  
4 MAX. SPEED BELOW: 150 KIAS  
5 MAX. SPEED: 150 KIAS

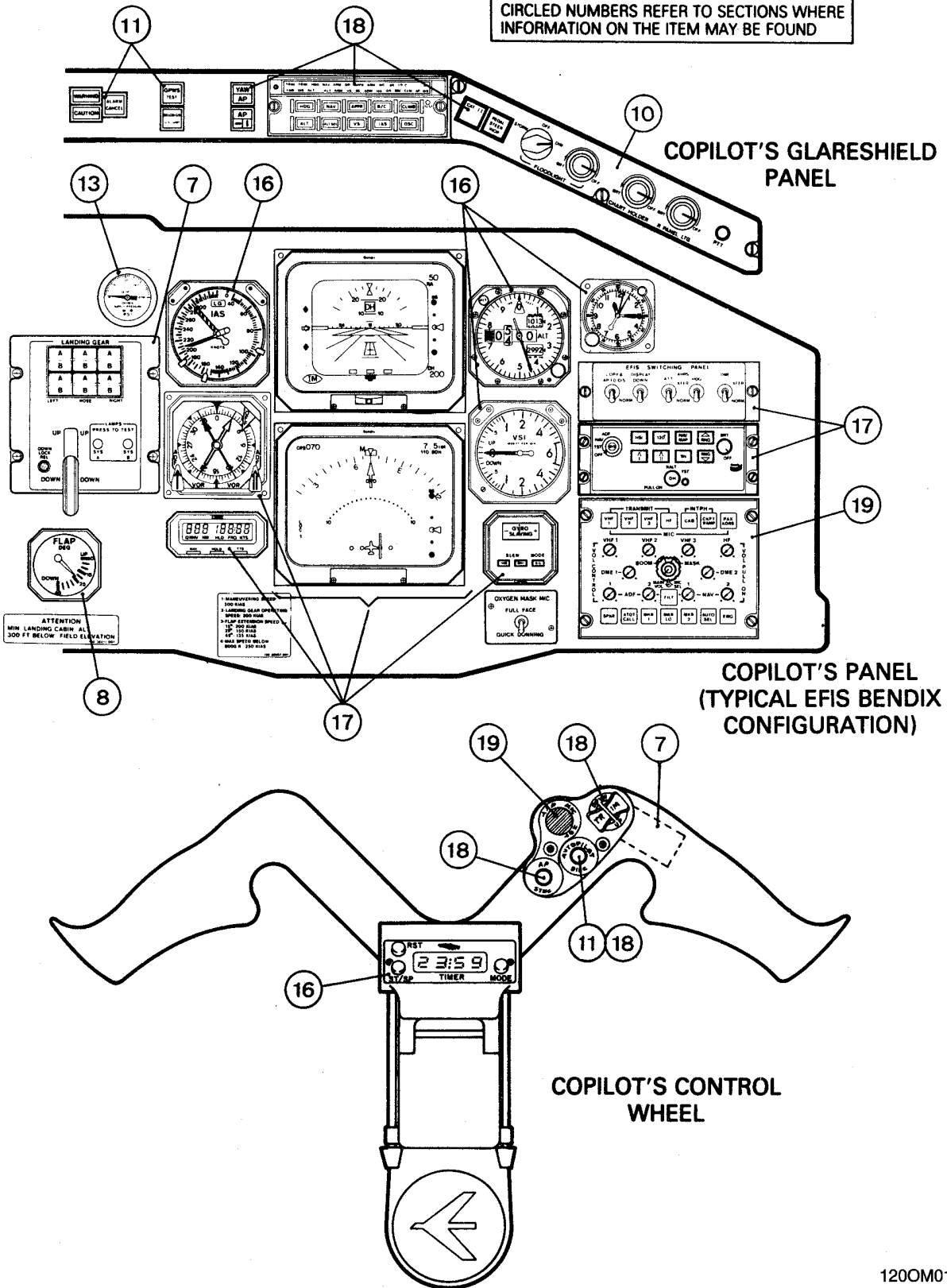
1200M010169.TIF

16-011-001



# OPERATIONS MANUAL

CIRCLED NUMBERS REFER TO SECTIONS WHERE INFORMATION ON THE ITEM MAY BE FOUND



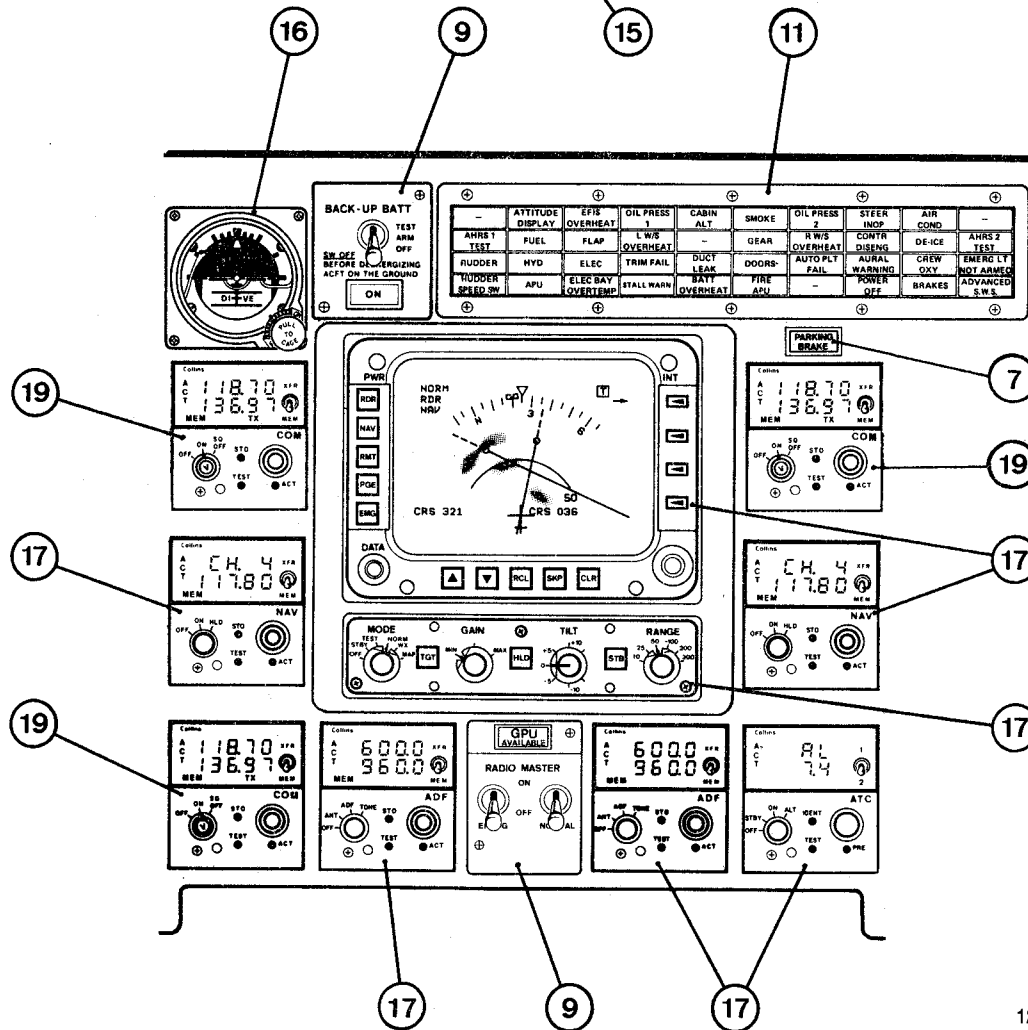
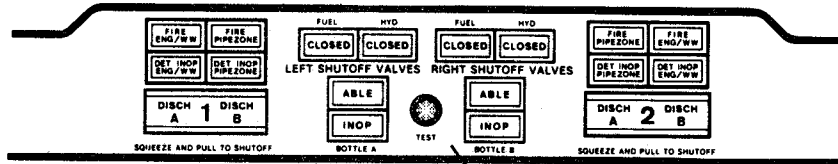
16-011-001

1200M010170.TIF



CIRCLED NUMBERS REFER TO SECTIONS WHERE INFORMATION ON THE ITEM MAY BE FOUND

**CENTER GLARESHIELD PANEL**

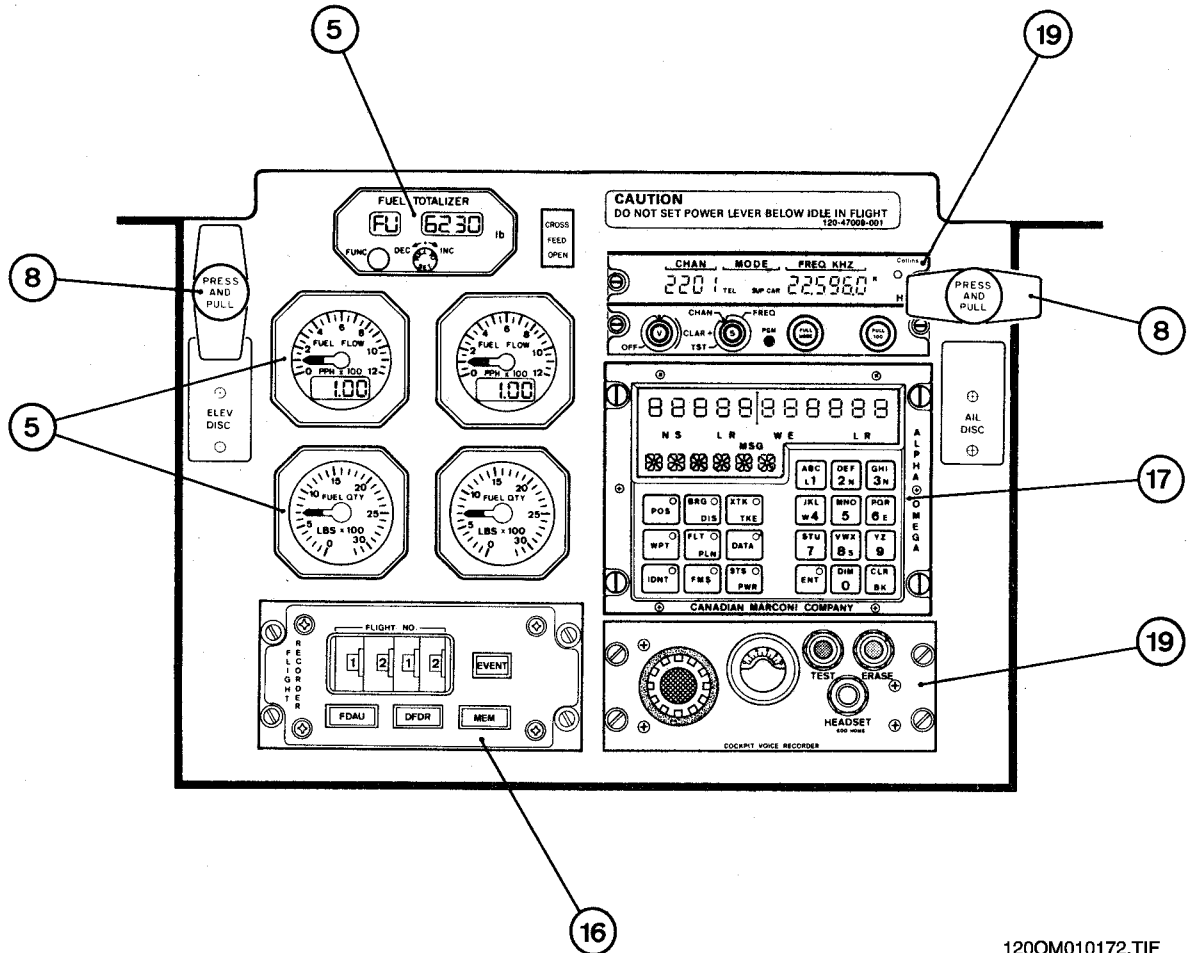


**CENTER PANEL  
(TYPICAL EFIS COLLINS CONFIGURATION)**

1200M010171.TIF

16-011-001

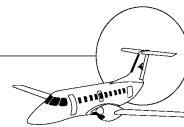




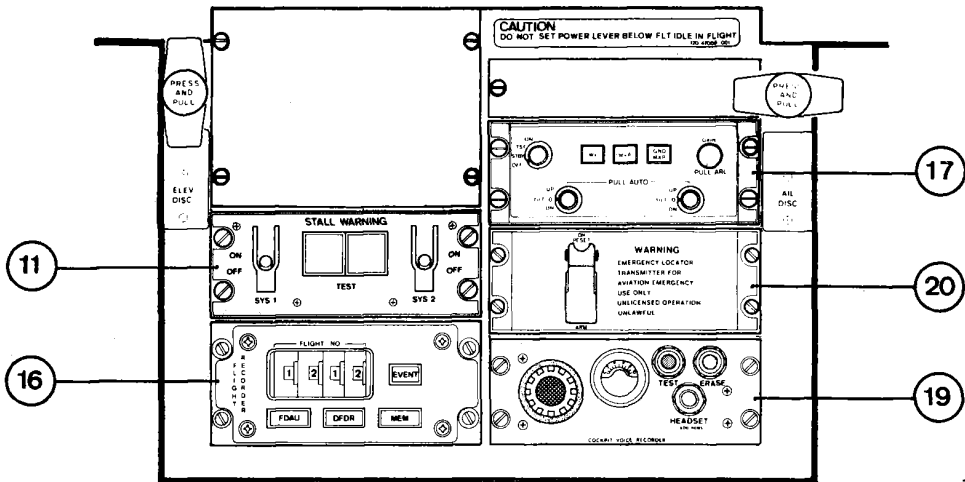
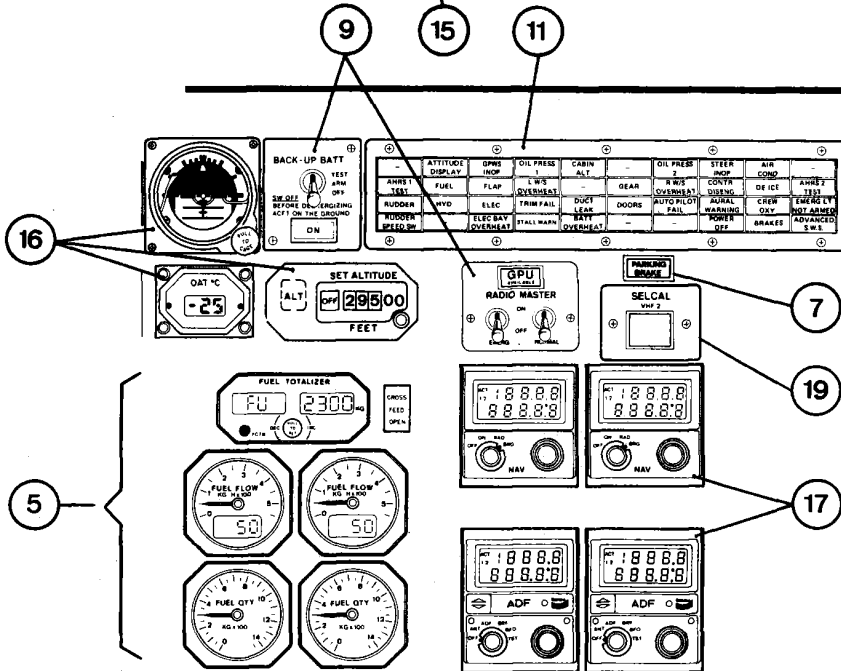
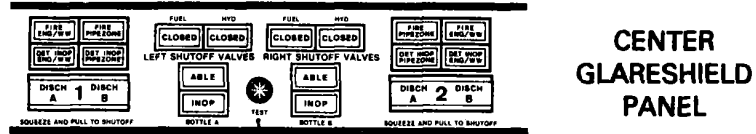
1200M010172.TIF

16-011-001

**FORWARD PANEL**  
**(TYPICAL EFIS COLLINS CONFIGURATION)**



CIRCLED NUMBERS REFER TO SECTIONS WHERE INFORMATION ON THE ITEM MAY BE FOUND



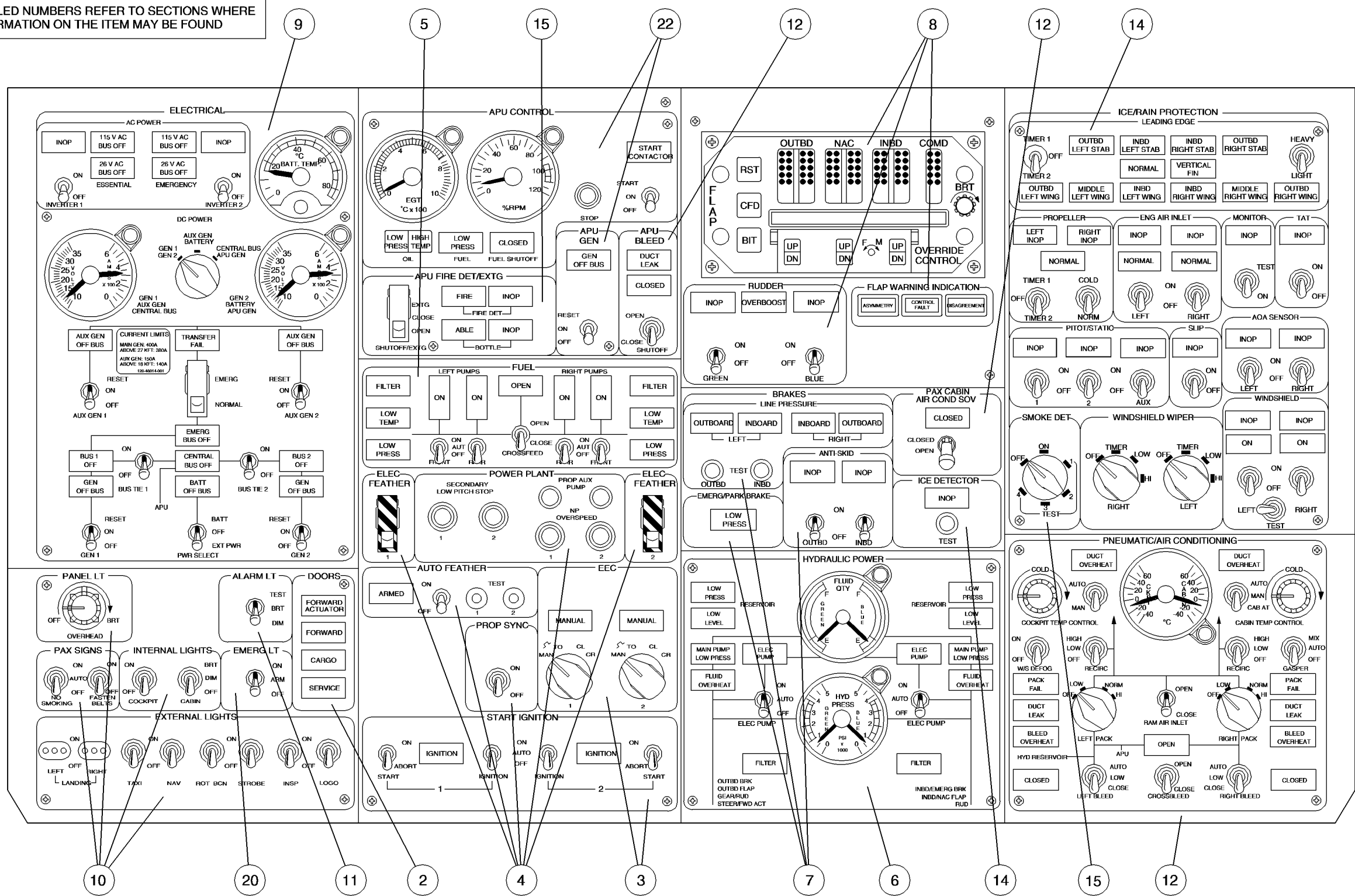
1200M010173.TIF

16-011-001



# OPERATIONS MANUAL

CIRCLED NUMBERS REFER TO SECTIONS WHERE INFORMATION ON THE ITEM MAY BE FOUND

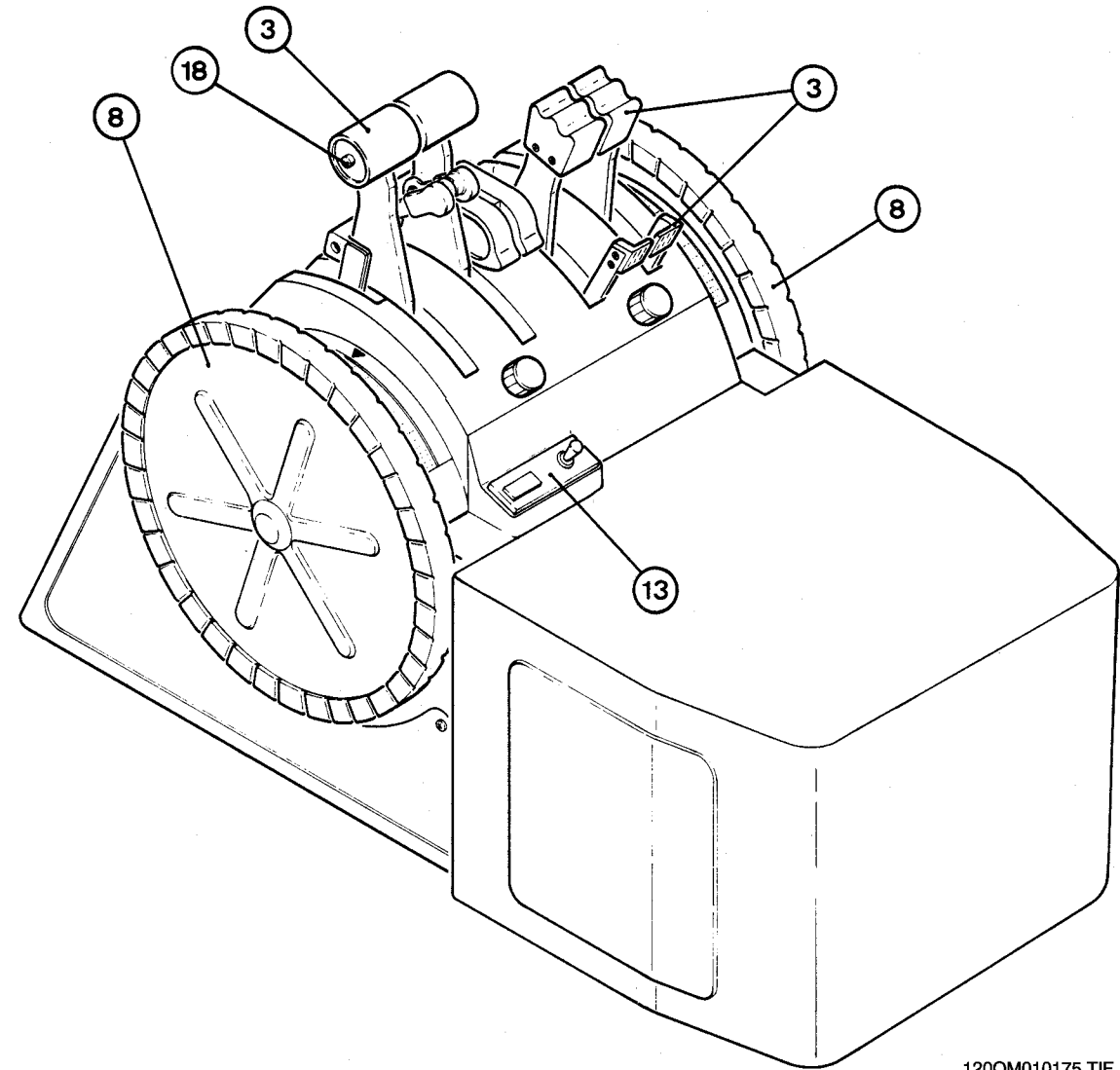


OVERHEAD PANEL  
(TYPICAL)

16-011-001



CIRCLED NUMBERS REFER TO SECTIONS WHERE  
INFORMATION ON THE ITEM MAY BE FOUND



120OM010175.TIF

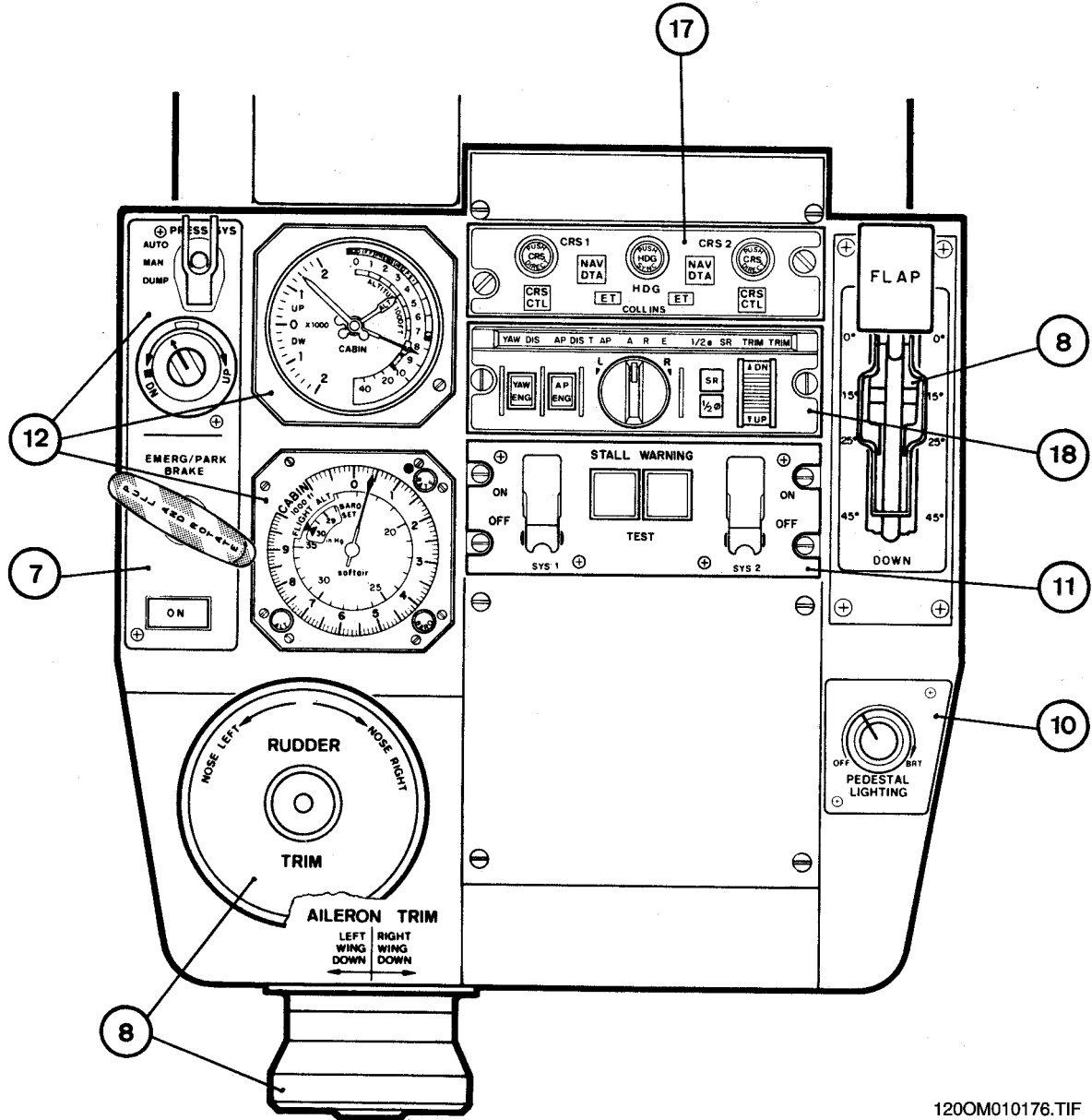
CONTROL STAND

16-011-001



# OPERATIONS MANUAL

CIRCLED NUMBERS REFER TO SECTIONS WHERE INFORMATION ON THE ITEM MAY BE FOUND



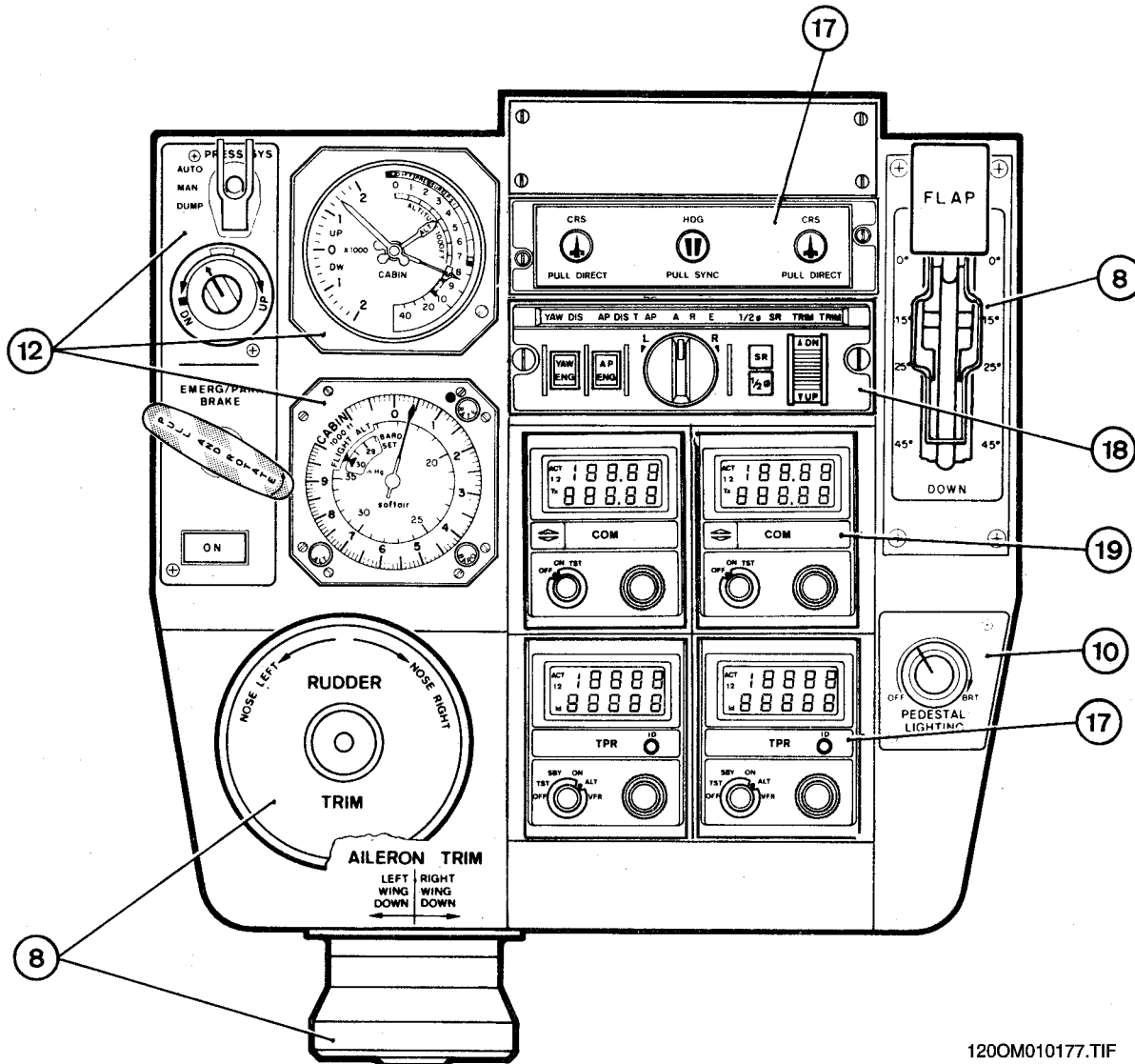
1200M010176.TIF

16-011-001

AFT PANEL  
(TYPICAL EFIS COLLINS CONFIGURATION)



CIRCLED NUMBERS REFER TO SECTIONS WHERE INFORMATION ON THE ITEM MAY BE FOUND



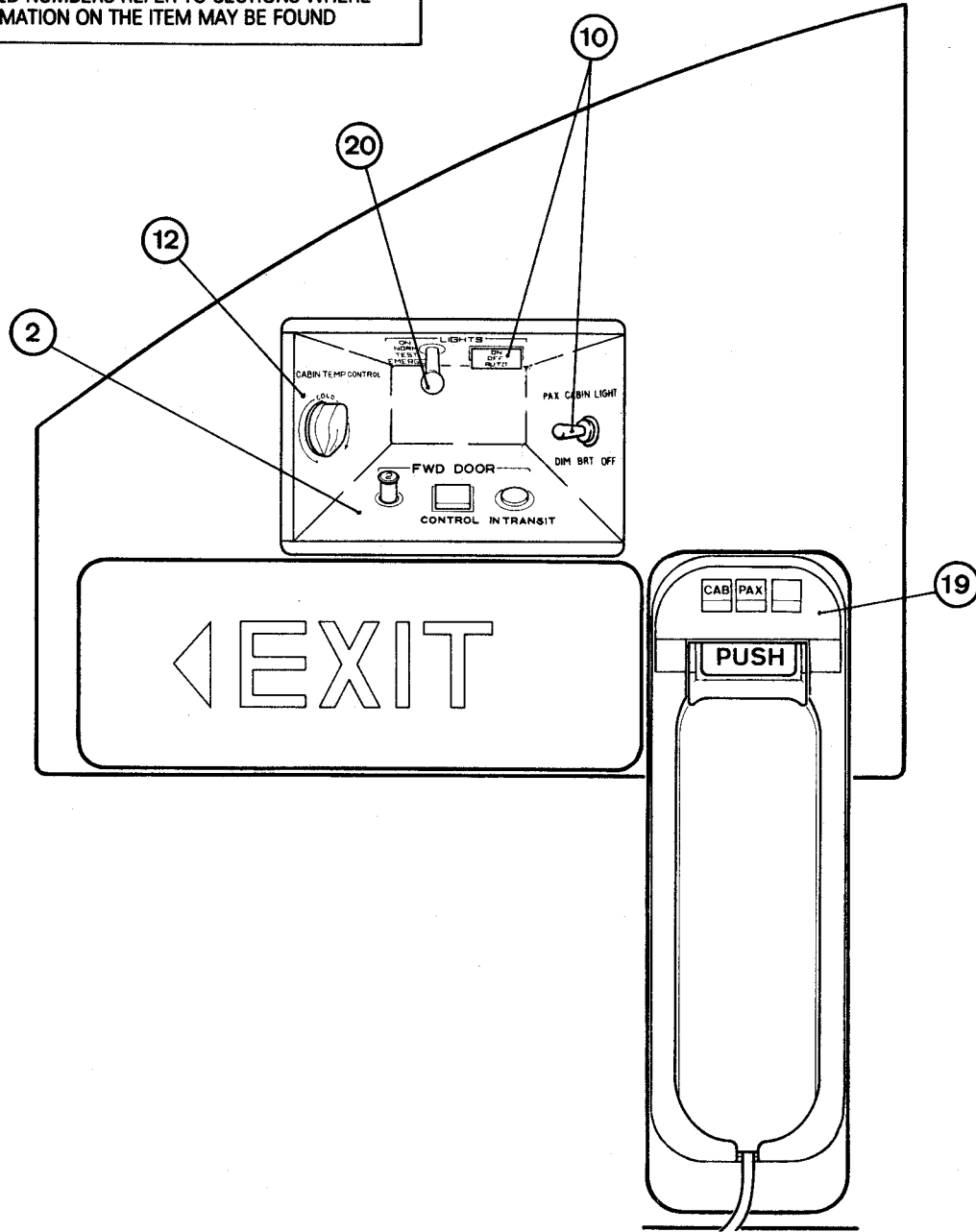
1200M010177.TIF

**AFT PANEL  
(TYPICAL EFIS BENDIX CONFIGURATION)**

16-011-001



CIRCLED NUMBERS REFER TO SECTIONS WHERE INFORMATION ON THE ITEM MAY BE FOUND



1200M010178.TIF

16-011-001

**ATTENDANT'S PANEL**

